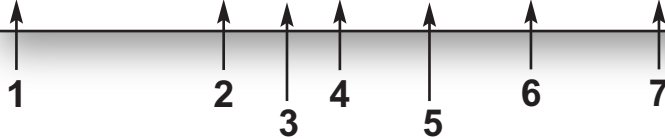




Deep Groove Ball Bearings

W 6200-2Z JNR/C3 HC5 GJN

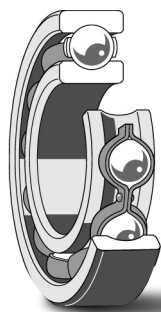


1. Prefix		TN Polyamide cage	6. Special offerings	
R MRC inch series		TN9 Fibreglass reinforced Polyamide	HC4 Full Ceramic bearing	
W Stainless		Y Pressed Brass cage, ball guided	HC5 Ceramic ball set	
2. Seals Shields		4. Modification		HYB MRC hybrid bearing
FF MRC shield designation SKF Z Metal backed one side of bearing (also SKF 2Z)		C MRC designation for Cartridge type bearing	VA201 Special specification for kiln trucks	
RS2 As RS1 but of Fluorocarbon rubber for higher temperatures (also 2RS2)		N Snap ring groove	VA 208 Graphite segment cage for hi- temp applications	
RSL As RZ, new design, (also 2RSL)		NR Snap ring & groove	VA 228 Graphite cage for hi-temp applications	
RSH As RS1 new design, (Also 2 RSH) for bearings of 60, 62 and 63 series up to 52mm o/d.		N1,N2 1 or 2 locating notches	7. Lubrication	
RZ Metal backed non-contact seal on one side (Also 2RZ)		S MRC Conrad type	GJN Di-urea, Hi-temp.115 cSt @ 40°C, range -40°C to + 150°C	
Z Metal plate		VL0241 Electrical insulation of outer ring	GMB Lithium, Medium temp.120 cSt @ 40°C, -30°C to + 110°C	
ZZ MRC seal designation (SKF 2RS1)		VL2071 Electrical insulation of inner ring	HT 51 Polyurea hi-temp, 110 cSt @ 40°C, -30°C to + 140°C	
2Z Steel plate on 2 sides		5. Clearance/Tolerances		LHT 23 Lithium,Wide range, 26 cSt @ 40°C, -50°C to + 140°C
3. Cage Design		C1 Clearance < C2	LHT 30 Lithium, Wide range, 74 cSt @ 40°C, -40°C to +180°C	
J Pressed steel cage, rolling element guided		C2 Clearance < Normal	LHT 64 Clay, Wide range,13 cSt @ 40°C, -73°C to + 149°C	
JEM Steel cage (J), quiet running, C3 clearance (not marked on bearing)**		C0,CN Normal not shown	MT33* Lithium, Medium temp. 74 cSt @ 40°C, -30°C to + 120°C	
M Machined brass cage, rolling element guided		C3 Clearance > C0 or CN	MT47* Lithium, Medium temp. 70 cSt @ 40°C, -30°C to + 110°C	
MA Machined brass cage, outer ring guided		C4 Clearance > C3	W64 Solid oil, various types available depending on the temperature range.	
TC Phenolic cage, inner ring guided		C78 P5 or ABEC 5 tolerance		
		C782 C78 + C2		
		C783 C78 + C3		
		P5 Tolerance to ISO class 5 or ABEC 5		
		** If sealed, use GJN grease		* See page 31 (top)

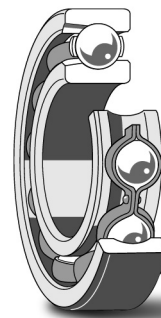
Deep groove ball bearings

Technical Features

Boundary Dimensions	In accordance with ISO 15:1998
Tolerances	<52mm OD ABEC 5 (ISO P5) 52mm <110 mm ABEC 3 (ISO P6) >110 mm OD ABEC 1 (Normal)
Heat Stabilization	257°F (125°C) Operating temperature -40°C to + 100°C or 120°C for short periods
Misalignment	2 minutes of arc
Cage Material Standard	Steel (J generally not shown) Optional Machined brass (M, MA) Polyamide (TN9)
Axial load - max	0.5xC ₀ for 6200, 6300 and 6400 series 0.25xC ₀ for 61800, 61900 and 6000 series
Seals and Shields	2RS1 - Nitrile rubber seals 2RS2 - Fluorocarbon seals (high temp) 2RZ - Nitrile rubber seals non-contact 2RSL - Nitrile rubber seals non-contact, new design 2RSH - Nitrile rubber seals, new design 2Z - Metal shields



**Single Row
Deep Groove Ball Bearing**
(data tables on page 34)



**Single Row
Deep Groove Ball Bearing
Max Type**
(data tables on page 58)



Deep groove ball bearings

Deep Groove Ball Bearing Standard Greases

(The grease is not shown in the part number)

On bearings W618__ and W619__ under 30mm on the O/D LT10 (Esso Beacon 325)

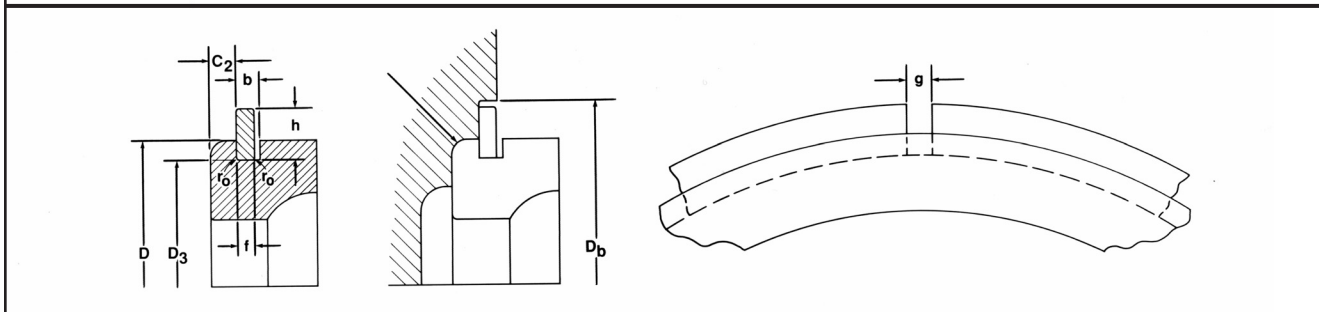
All other deep groove ball bearings up to 62mm on the O/D MT47 (Shell Alvania RLQ2)

All deep groove ball bearings over 62mm on the O/D MT33 (Shell Alvania R3)

MRC uses Esso Polyrex EM.

All other grease types should be shown with their appropriate suffixes.

Snap Ring and Snap Ring Groove Dimensions



Snap ring and groove dimensions - ball bearings

Outer ring O.D. D	Groove dia. max. D ₃	Groove location max. C ₂	Groove width min. b	Fillet radius max. f ₀	Ring thickness max. f	Ring section height max. h	Ring gap g	End cover D _b	
mm in	mm in	mm in	mm in	mm in	mm in	mm in	mm in	mm in	
40	1.5748	38.10 1.500	2.06 0.081	1.35 0.053	0.4 0.016	1.12 0.044	3.25 0.128	3 0.12	45 1.8
47	1.8504	44.60 1.756	2.46 0.097	1.35 0.053	0.4 0.016	1.12 0.044	4.04 0.159	4 0.15	53 2.1
52	2.0472	49.73 1.958	2.46 0.097	1.35 0.053	0.4 0.016	1.12 0.044	4.04 0.159	4 0.15	58 2.3
62	2.4409	59.61 2.347	3.28 0.129	1.90 0.075	0.6 0.024	1.70 0.067	4.04 0.159	4 0.15	68 2.7
72	2.8346	68.81 2.709	3.28 0.129	1.90 0.075	0.6 0.024	1.70 0.067	4.85 0.191	5 0.19	80 3.1
80	3.1496	76.81 3.024	3.28 0.129	1.90 0.075	0.6 0.024	1.70 0.067	4.85 0.191	5 0.19	88 3.5
85	3.3464	81.81 3.221	3.28 0.129	1.90 0.075	0.6 0.024	1.70 0.067	4.85 0.191	5 0.19	93 3.7
90	3.5400	86.79 3.417	3.28 0.129	2.70 0.106	0.6 0.024	2.46 0.097	4.85 0.191	5 0.19	98 3.9
100	3.9370	96.80 3.811	3.28 0.129	2.70 0.106	0.6 0.024	2.46 0.097	4.85 0.191	5 0.19	108 4.3
110	4.3307	106.81 4.205	3.28 0.129	2.70 0.106	0.6 0.024	2.46 0.097	4.85 0.191	5 0.19	118 4.6
120	4.7244	115.21 4.536	4.06 0.160	3.10 0.122	0.6 0.024	2.82 0.111	7.21 0.284	7 0.28	131 5.2
125	4.9210	120.22 4.733	4.06 0.160	3.10 0.122	0.6 0.024	2.82 0.111	7.21 0.284	7 0.28	136 5.4
130	5.1181	125.22 4.930	4.06 0.160	3.10 0.122	0.6 0.024	2.82 0.111	7.21 0.284	7 0.28	141 5.6
140	5.5118	135.23 5.324	4.90 0.193	3.10 0.122	0.6 0.024	2.82 0.111	7.21 0.284	7 0.28	151 5.9
150	5.9055	145.24 5.718	4.90 0.193	3.10 0.122	0.6 0.024	2.82 0.111	7.21 0.284	7 0.28	161 6.3
160	6.2992	155.22 6.111	4.90 0.193	3.10 0.122	0.6 0.024	2.82 0.111	7.21 0.284	7 0.28	171 6.7
170	6.6929	163.65 6.443	5.69 0.224	3.50 0.138	0.6 0.024	3.10 0.122	9.60 0.378	10 0.39	184 7.2
180	7.0866	173.66 6.837	5.69 0.224	3.50 0.138	0.6 0.024	3.10 0.122	9.60 0.378	10 0.39	194 7.6
190	7.4803	183.64 7.230	5.69 0.224	3.50 0.138	0.6 0.024	3.10 0.122	9.60 0.378	10 0.39	204 8.0
200	7.8740	193.65 7.624	5.69 0.224	3.50 0.138	0.6 0.024	3.10 0.122	9.60 0.378	10 0.39	214 8.4

Lubrication

Bearings with shields or seals at both sides are supplied as standard filled with a grease which has good rust inhibiting properties and which is suitable for operating temperatures between -22 and +230°F (-30 to +110°C). The bearings are lubricated for life and are maintenance free. **They should on no account be heated to temperatures above 250°F (120°C), nor should they be washed.** By special order, bearings with shields or seals can be supplied with other greases, e.g. for a temperature range of -40 to +300°F (-40 to +150°C).

The quantity of grease supplied is appropriate to the size of the bearing and normally fills between 25 and 35% of the free space in the bearing. Open bearings are supplied with a rust preservative that is compatible with most standard greases and **should not** be removed prior to mounting or lubricating.

* Other greases are available on request.

Masses

The masses given in the tables are for the basic design of the bearing. The mass of bearings with shield(s), seal(s) or snap ring groove differs only slightly from that of the basic bearing.

Internal Clearance

Radial internal clearance (table 1) SKF single row deep groove ball bearings are produced with Normal radial internal clearance (CN or C0 not marked on bearing) as standard. Radial clearance selection is based on factors such as high speed, operating temperature, shaft fits and axial movement limitations. The availability of bearings with clearances other than Normal should be checked before ordering. The suffix JEM indicates an internal clearance greater than Normal (C3). Many of the bearings, particularly the smaller sizes, are also available with radial internal clearance, which is greater than or less than Normal (C3, C2 respectively).

The values of the clearance limits for single row deep groove ball bearings are shown in **table 1**. They conform to ISO 5753-1991 (ABMA standard 20-1996) for the size range covered by this standard. The values apply to unmounted bearings under zero measuring load.

Table 1 Radial internal clearance of deep groove ball bearings

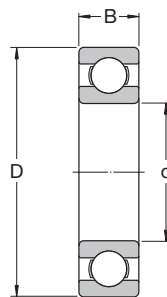
Bore diameter d		Radial internal clearance																							
		C2				Normal				C3				C4				C5							
over	incl.	min	max	min	max	min	max	min	max	min	max	min	max	min	max	min	max	min	max	min	max				
mm		µm		in		µm		in		µm		in		µm		in		µm		in		µm		in	
2.5	10	0	7	0.0000	0.0003	2	13	0.0001	0.0005	8	23	0.0003	0.0009	14	29	0.0006	0.0011	20	37	0.0008	0.0015				
10	18	0	9	0.0000	0.0004	3	18	0.0001	0.0007	11	25	0.0004	0.0010	18	33	0.0007	0.0013	25	45	0.0010	0.0018				
18	24	0	10	0.0000	0.0004	5	20	0.0002	0.0008	13	28	0.0005	0.0011	20	36	0.0008	0.0014	28	48	0.0011	0.0019				
24	30	1	11	0.0000	0.0004	5	20	0.0002	0.0008	13	28	0.0005	0.0011	23	41	0.0009	0.0016	30	53	0.0012	0.0021				
30	40	1	11	0.0000	0.0004	6	20	0.0002	0.0008	15	33	0.0006	0.0013	28	46	0.0011	0.0018	40	64	0.0016	0.0025				
40	50	1	11	0.0000	0.0004	6	23	0.0002	0.0009	18	36	0.0007	0.0014	30	51	0.0012	0.0020	45	73	0.0018	0.0029				
50	65	1	15	0.0000	0.0006	8	28	0.0003	0.0011	23	43	0.0009	0.0017	38	61	0.0015	0.0024	55	90	0.0022	0.0035				
65	80	1	15	0.0000	0.0006	10	30	0.0004	0.0012	25	51	0.0010	0.0020	46	71	0.0018	0.0028	65	105	0.0026	0.0041				
80	100	1	18	0.0000	0.0007	12	36	0.0005	0.0014	30	58	0.0012	0.0023	53	84	0.0021	0.0033	75	120	0.0030	0.0047				
100	120	2	20	0.0001	0.0008	15	41	0.0006	0.0016	36	66	0.0014	0.0026	61	97	0.0024	0.0038	90	140	0.0035	0.0055				
120	140	2	23	0.0001	0.0009	18	48	0.0007	0.0019	41	81	0.0016	0.0032	71	114	0.0028	0.0045	105	160	0.0041	0.0063				
140	160	2	23	0.0001	0.0009	18	53	0.0007	0.0021	46	91	0.0018	0.0036	81	130	0.0032	0.0051	120	180	0.0047	0.0071				
160	180	2	25	0.0001	0.0010	20	61	0.0008	0.0024	53	102	0.0021	0.0040	91	147	0.0036	0.0058	135	200	0.0053	0.0079				
180	200	2	30	0.0001	0.0012	25	71	0.0010	0.0028	63	117	0.0025	0.0046	107	163	0.0042	0.0064	150	230	0.0059	0.0091				
200	225	4	32	0.0002	0.0013	28	82	0.0011	0.0032	73	132	0.0029	0.0052	120	187	0.0047	0.0074	175	255	0.0069	0.0100				
225	250	4	36	0.0002	0.0014	31	92	0.0012	0.0036	87	152	0.0034	0.0060	140	217	0.0055	0.0085	205	290	0.0081	0.0114				
250	280	4	39	0.0002	0.0015	36	97	0.0014	0.0038	97	162	0.0038	0.0064	152	237	0.0060	0.0093	255	320	0.0100	0.0126				
280	315	8	45	0.0003	0.0018	42	110	0.0017	0.0043	110	180	0.0043	0.0071	175	260	0.0069	0.0102	260	360	0.0102	0.0142				
315	355	8	50	0.0003	0.0020	50	120	0.0020	0.0047	120	200	0.0047	0.0079	200	290	0.0079	0.0114	290	405	0.0114	0.0159				
355	400	8	60	0.0003	0.0024	60	140	0.0024	0.0055	140	230	0.0055	0.0091	230	330	0.0091	0.0130	330	460	0.0130	0.0181				
400	450	10	70	0.0004	0.0028	70	160	0.0028	0.0063	160	260	0.0063	0.0102	260	370	0.0102	0.0146	370	520	0.0146	0.0205				
450	500	10	80	0.0004	0.0031	80	180	0.0031	0.0071	180	290	0.0071	0.0114	290	410	0.0114	0.0161	410	570	0.0161	0.0224				
500	560	20	90	0.0008	0.0035	90	200	0.0035	0.0079	200	320	0.0079	0.0126	320	460	0.0126	0.0181	460	630	0.0181	0.0248				
560	630	20	100	0.0008	0.0039	100	220	0.0039	0.0087	220	350	0.0087	0.0138	350	510	0.0138	0.0201	510	700	0.0201	0.0276				
630	710	30	120	0.0012	0.0047	120	250	0.0047	0.0098	250	390	0.0098	0.0154	390	560	0.0154	0.0220	560	780	0.0220	0.0307				
710	800	30	130	0.0012	0.0051	130	280	0.0051	0.0110	280	440	0.0111	0.0173	440	620	0.0173	0.0244	620	860	0.0244	0.0339				
800	900	30	150	0.0012	0.0059	150	310	0.0059	0.0122	310	490	0.0122	0.0193	490	690	0.0193	0.0272	690	960	0.0272	0.0378				
900	1 000	40	160	0.0016	0.0063	160	340	0.0063	0.0134	340	540	0.0134	0.0213	540	760	0.0213	0.0299	760	1040	0.0299	0.0409				
1 000	1 120	40	170	0.0016	0.0067	170	370	0.0067	0.0146	370	590	0.0146	0.0232	590	840	0.0232	0.0331	840	1120	0.0331	0.0441				



Single row deep groove ball bearings

d 3 - 12 mm

d 0.118 - 0.472 in



Principal dimensions						Basic load ratings		Fatigue load limit P_u	Speed ratings		Mass kg	Designation
d	D	B	d	D	B	dynamic C	static C_0		Reference speed	Limiting speed		
mm			in			kN		kN	r/min			—
3	10	4	0.118	0.394	0.157	0.54	0.18	0.007	130 000	80 000	0.0015	623
4	9	2.5	0.157	0.354	0.098	0.54	0.18	0.007	140 000	85 000	0.0007	618/4
	11	4		0.433	0.157	0.715	0.232	0.01	130 000	80 000	0.0017	619/4
	12	4		0.472	0.157	0.806	0.28	0.012	120 000	75 000	0.0021	604
	13	5		0.512	0.197	0.936	0.29	0.012	110 000	67 000	0.0031	624
	16	5		0.630	0.197	1.11	0.38	0.016	95 000	60 000	0.0054	634
5	11	3	0.197	0.433	0.118	0.637	0.255	0.011	120 000	75 000	0.0012	618/5
	13	4		0.512	0.157	0.884	0.34	0.014	110 000	67 000	0.0025	619/5
	16	5		0.630	0.197	1.14	0.38	0.016	95 000	60 000	0.005	*625
	19	6		0.748	0.236	2.34	0.95	0.04	80 000	50 000	0.009	*635
6	13	3.5	0.236	0.512	0.138	0.884	0.345	0.015	110 000	67 000	0.002	618/6
	15	5		0.591	0.197	1.24	0.475	0.02	100 000	63 000	0.0039	619/6
	19	6		0.748	0.236	2.34	0.95	0.04	80 000	50 000	0.0084	*626
7	14	3.5	0.276	0.551	0.138	0.956	0.4	0.017	100 000	63 000	0.0022	618/7
	17	5		0.669	0.197	1.48	0.56	0.024	90 000	56 000	0.0049	619/7
	19	6		0.748	0.236	2.34	0.95	0.04	85 000	53 000	0.0075	*607
	22	7		0.866	0.276	3.45	1.37	0.057	70 000	45 000	0.013	*627
8	16	4	0.315	0.630	0.157	1.33	0.57	0.024	90 000	56 000	0.003	618/8
	19	6		0.748	0.236	1.9	0.735	0.031	80 000	50 000	0.0071	619/8
	22	7		0.866	0.276	3.45	1.37	0.057	75 000	48 000	0.012	*608
	24	8		0.945	0.315	3.9	1.66	0.071	63 000	40 000	0.017	*628
9	17	4	0.354	0.669	0.157	1.43	0.64	0.027	85 000	53 000	0.0034	618/9
	20	6		0.787	0.236	2.08	0.865	0.036	80 000	48 000	0.0076	619/9
	24	7		0.945	0.276	3.9	1.66	0.071	70 000	43 000	0.014	*609
	26	8		1.024	0.315	4.75	1.96	0.083	60 000	38 000	0.02	*629
10	19	5	0.394	0.748	0.197	1.38	0.585	0.025	80 000	48 000	0.0055	61800
	22	6		0.866	0.236	2.08	0.85	0.036	75 000	45 000	0.01	61900
	26	8		1.024	0.315	4.75	1.96	0.083	67 000	40 000	0.019	*6000
	28	8		1.102	0.315	4.62	1.96	0.083	63 000	40 000	0.022	16100
	30	9		1.181	0.354	5.4	2.36	0.1	56 000	34 000	0.032	*6200
	35	11		1.378	0.433	8.52	3.4	0.143	50 000	32 000	0.053	*6300
12	21	5	0.472	0.827	0.197	1.43	0.67	0.028	70 000	43 000	0.0063	61801
	24	6		0.945	0.236	2.25	0.98	0.043	67 000	40 000	0.011	61901
	28	8		1.102	0.315	5.4	2.36	0.1	60 000	38 000	0.022	*6001
	30	8		1.181	0.315	5.07	2.36	0.1	56 000	34 000	0.023	16101
	32	10		1.260	0.394	7.28	3.1	0.132	50 000	32 000	0.037	*6201
	37	12		1.457	0.472	10.1	4.15	0.176	45 000	28 000	0.06	*6301

* SKF Explorer bearing

Single row deep groove ball bearings

d 15 - 25 mm

d 0.591 - 0.984 in



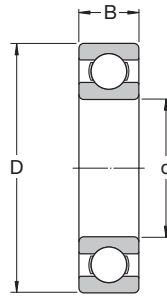
Principal dimensions						Basic load ratings		Fatigue load limit P_u	Speed ratings		Mass kg	Designation		
d	D	B	d	D	B	dynamic C	static C_0		Reference speed	Limiting speed				
			in			kN		kN	r/min			—		
15	24	5	0.591	0.945	0.197	1.56	0.8	0.034	60 000	38 000	0.0074	61802		
	28	7		1.102	0.276	4.36	2.24	0.095	56 000	34 000	0.016	61902		
	32	8		1.260	0.315	5.85	2.85	0.12	50 000	32 000	0.025	*16002		
	32	9		1.260	0.354	5.85	2.85	0.12	50 000	32 000	0.03	*6002		
	35	11		1.378	0.433	8.06	3.75	0.16	43 000	28 000	0.045	*6202		
	42	13		1.654	0.512	11.9	5.4	0.228	38 000	24 000	0.082	*6302		
17	26	5	0.669	1.024	0.197	1.68	0.93	0.039	56 000	34 000	0.0082	61803		
	30	7		1.181	0.276	4.62	2.55	0.108	50 000	32 000	0.018	61903		
	35	8		1.378	0.315	6.37	3.25	0.137	45 000	28 000	0.032	*16003		
	35	10		1.378	0.394	6.37	3.25	0.137	45 000	28 000	0.039	*6003		
	40	9		1.575	0.354	9.56	4.75	0.2	38 000	24 000	0.048	98203		
	40	12		1.575	0.472	9.95	4.75	0.2	38 000	24 000	0.065	*6203		
	40	12		1.575	0.472	11.4	5.4	0.228	38 000	24 000	0.064	6203 ETN9		
	47	14		1.850	0.551	14.3	6.55	0.275	34 000	22 000	0.12	*6303		
	62	17		2.441	0.669	22.9	10.8	0.455	28 000	18 000	0.27	6403		
	20	32		7	0.787	1.260	0.276	4.03	2.32	0.104	45 000	28 000	0.018	61804
		37		9		1.457	0.354	6.37	3.65	0.156	43 000	26 000	0.038	61904
42		8	1.654	0.315		7.28	4.05	0.173	38 000	24 000	0.05	*16004		
42		9	1.654	0.354		7.93	4.5	0.19	38 000	24 000	0.051	98204 Y		
42		12	1.654	0.472		9.95	5	0.212	38 000	24 000	0.069	*6004		
47		14	1.850	0.551		13.5	6.55	0.28	32 000	20 000	0.11	*6204		
47		14	1.850	0.551		15.6	7.65	0.325	32 000	20 000	0.096	6204 ETN9		
52		15	2.047	0.591		16.8	7.8	0.335	30 000	19 000	0.14	*6304		
52		15	2.047	0.591		18.2	9	0.38	30 000	19 000	0.14	6304 ETN9		
72		19	2.835	0.748		30.7	15	0.64	24 000	15 000	0.4	6404		
22	50	14	0.866	1.969	0.551	14	7.65	0.325	30 000	19 000	0.12	62/22		
	56	16		2.205	0.630	18.6	9.3	0.39	28 000	18 000	0.18	63/22		
25	37	7	0.984	1.457	0.276	4.36	2.6	0.125	38 000	24 000	0.022	61805		
	42	9		1.654	0.354	7.02	4.3	0.193	36 000	22 000	0.045	61905		
	47	8		1.850	0.315	8.06	4.75	0.212	32 000	20 000	0.06	*16005		
	47	12		1.850	0.472	11.9	6.55	0.275	32 000	20 000	0.08	*6005		
	52	9		2.047	0.354	10.6	6.55	0.28	28 000	18 000	0.078	98205		
	52	15		2.047	0.591	14.8	7.8	0.335	28 000	18 000	0.13	*6205		
	52	15		2.047	0.591	17.8	9.8	0.4	28 000	18 000	0.12	6205 ETN9		
	62	17		2.441	0.669	23.4	11.6	0.49	24 000	16 000	0.23	*6305		
	62	17		2.441	0.669	26	13.4	0.57	24 000	16 000	0.21	6305 ETN9		
	80	21		3.150	0.827	35.8	19.3	0.82	20 000	13 000	0.53	6405		

* SKF Explorer bearing

Single row deep groove ball bearings

d 28 - 50 mm

d 1.102 - 1.969 in



Principal dimensions						Basic load ratings		Fatigue load limit P_u	Speed ratings		Mass kg	Designation
d	D	B	d	D	B	dynamic C	static C_0		Reference speed	Limiting speed		
mm			in			kN		r/min				
28	58	16	1.102	2.283	0.630	16.8	9.5	0.405	26 000	16 000	0.18	62/28
	68	18		2.677	0.709	25.1	13.7	0.585	22 000	14 000	0.29	63/28
30	42	7	1.181	1.654	0.276	4.49	2.9	0.146	32 000	20 000	0.027	61806
	47	9		1.850	0.354	7.28	4.55	0.212	30 000	19 000	0.051	61906
	55	9		2.165	0.354	11.9	7.35	0.31	28 000	17 000	0.085	*16006
	55	13		2.165	0.512	13.8	8.3	0.355	28 000	17 000	0.12	*6006
	62	10		2.441	0.394	15.9	10.2	0.44	22 000	14 000	0.12	98206
	62	16		2.441	0.630	20.3	11.2	0.48	24 000	15 000	0.2	*6206
	62	16		2.441	0.630	23.4	12.9	0.54	24 000	15 000	0.19	6206 ETN9
	72	19		2.835	0.748	29.6	16	0.67	20 000	13 000	0.35	*6306
	72	19		2.835	0.748	32.5	17.3	0.74	22 000	14 000	0.33	6306 ETN9
	90	23		3.543	0.906	43.6	23.6	1	18 000	11 000	0.74	6406
35	47	7	1.378	1.850	0.276	4.75	3.2	0.17	28 000	18 000	0.03	61807
	55	10		2.165	0.394	9.56	6.8	0.29	26 000	16 000	0.08	61907
	62	9		2.441	0.354	13	8.15	0.38	24 000	15 000	0.11	*16007
	62	14		2.441	0.551	16.8	10.2	0.44	24 000	15 000	0.16	*6007
	72	17		2.835	0.669	27	15.3	0.66	20 000	13 000	0.29	*6207
	72	17		2.835	0.669	31.2	17.6	0.75	20 000	13 000	0.27	6207 ETN9
	80	21		3.150	0.827	35.1	19	0.82	19 000	12 000	0.46	*6307
	100	25		3.937	0.984	55.3	31	1.29	16 000	10 000	0.95	6407
40	52	7	1.575	2.047	0.276	4.94	3.45	0.19	26 000	16 000	0.034	61808
	62	12		2.441	0.472	13.8	10	0.43	24 000	14 000	0.12	61908
	68	9		2.677	0.354	13.8	9.15	0.44	22 000	14 000	0.13	*16008
	68	15		2.677	0.591	17.8	11.6	0.49	22 000	14 000	0.19	*6008
	80	18		3.150	0.709	32.5	19	0.8	18 000	11 000	0.37	*6208
	80	18		3.150	0.709	35.8	20.8	0.88	18 000	11 000	0.34	6208 ETN9
	90	23		3.543	0.906	42.3	24	1.02	17 000	11 000	0.63	*6308
	110	27		4.331	1.063	63.7	36.5	1.53	14 000	9 000	1.25	6408
45	58	7	1.772	2.283	0.276	6.63	6.1	0.26	22 000	14 000	0.04	61809
	68	12		2.677	0.472	14	10.8	0.47	20 000	13 000	0.14	61909
	75	10		2.953	0.394	16.5	10.8	0.52	20 000	12 000	0.17	*16009
	75	16		2.953	0.630	22.1	14.6	0.64	20 000	12 000	0.25	*6009
	85	19		3.346	0.748	35.1	21.6	0.92	17 000	11 000	0.41	*6209
	100	25		3.937	0.984	55.3	31.5	1.34	15 000	9 500	0.83	*6309
	120	29		4.724	1.142	76.1	45	1.9	13 000	8 500	1.55	6409
50	65	7	1.969	2.559	0.276	6.76	6.8	0.285	20 000	13 000	0.052	61810
	72	12		2.835	0.472	14.6	11.8	0.5	19 000	12 000	0.14	61910
	80	10		3.150	0.394	16.8	11.4	0.56	18 000	11 000	0.18	*16010
	80	16		3.150	0.630	22.9	16	0.71	18 000	11 000	0.26	*6010
	90	20		3.543	0.787	37.1	23.2	0.98	15 000	10 000	0.46	*6210
	110	27		4.331	1.063	65	38	1.6	13 000	8 500	1.05	*6310
	130	31		5.118	1.220	87.1	52	2.2	12 000	7 500	1.9	6410

* SKF Explorer bearing

Single row deep groove ball bearings

d 55 - 80 mm

d 2.165 - 3.150 in



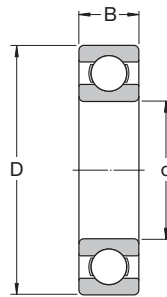
Principal dimensions						Basic load ratings		Fatigue load limit P_u	Speed ratings		Mass kg	Designation
d	D	B	d	D	B	dynamic C	static C_0		Reference speed	Limiting speed		
			in			kN		kN	r/min			
55	72	9	2.165	2.835	0.354	9.04	8.8	0.38	19 000	12 000	0.083	61811
	80	13		3.150	0.512	16.5	14	0.6	17 000	11 000	0.19	61911
	90	11		3.543	0.433	20.3	14	0.7	16 000	10 000	0.26	* 16011
	90	18		3.543	0.709	29.6	21.2	0.9	16 000	10 000	0.39	* 6011
	100	21		3.937	0.827	46.2	29	1.25	14 000	9 000	0.61	* 6211
	120	29		4.724	1.142	74.1	45	1.9	12 000	8 000	1.35	* 6311
	140	33		5.512	1.299	99.5	62	2.6	11 000	7 000	2.3	6411
60	78	10	2.362	3.071	0.394	11.9	11.4	0.49	17 000	11 000	0.11	61812
	85	13		3.346	0.512	16.5	14.3	0.6	16 000	10 000	0.2	61912
	95	11		3.740	0.433	20.8	15	0.74	15 000	9 500	0.28	* 16012
	95	18		3.740	0.709	30.7	23.2	0.98	15 000	9 500	0.42	* 6012
	110	22		4.331	0.866	55.3	36	1.53	13 000	8 000	0.78	* 6212
	130	31		5.118	1.220	85.2	52	2.2	11 000	7 000	1.7	* 6312
	150	35		5.906	1.378	108	69.5	2.9	10 000	6 300	2.75	6412
65	85	10	2.559	3.346	0.394	12.4	12.7	0.54	16 000	10 000	0.13	61813
	90	13		3.543	0.512	17.4	16	0.68	15 000	9 500	0.22	61913
	100	11		3.937	0.433	22.5	16.6	0.83	14 000	9 000	0.3	* 16013
	100	18		3.937	0.709	31.9	25	1.06	14 000	9 000	0.44	* 6013
	120	23		4.724	0.906	58.5	40.5	1.73	12 000	7 500	0.99	* 6213
	140	33		5.512	1.299	97.5	60	2.5	10 000	6 700	2.1	* 6313
	160	37		6.299	1.457	119	78	3.15	9 500	6 000	3.3	6413
70	90	10	2.756	3.543	0.394	12.4	13.2	0.56	15 000	9 000	0.14	61814
	100	16		3.937	0.630	23.8	21.2	0.9	14 000	8 500	0.35	61914
	110	13		4.331	0.512	29.1	25	1.06	13 000	8 000	0.43	* 16014
	110	20		4.331	0.787	39.7	31	1.32	13 000	8 000	0.6	* 6014
	125	24		4.921	0.945	63.7	45	1.9	11 000	7 000	1.05	* 6214
	150	35		5.906	1.378	111	68	2.75	9 500	6 300	2.5	* 6314
	180	42		7.087	1.654	143	104	3.9	8 500	5 300	4.85	6414
75	95	10	2.953	3.740	0.394	12.7	14.3	0.61	14 000	8 500	0.15	61815
	105	16		4.134	0.630	24.2	19.3	0.965	13 000	8 000	0.37	61915
	110	12		4.331	0.472	28.6	27	1.14	13 000	8 000	0.38	16115
	115	13		4.528	0.512	30.2	27	1.14	12 000	7 500	0.46	* 16015
	115	20		4.528	0.787	41.6	33.5	1.43	12 000	7 500	0.64	* 6015
	130	25		5.118	0.984	68.9	49	2.04	10 000	6 700	1.2	* 6215
	160	37		6.299	1.457	119	76.5	3	9 000	5 600	3	* 6315
	190	45		7.480	1.772	153	114	4.15	8 000	5 000	6.8	6415
	80	100		10	3.150	3.937	0.394	13	15	0.64	13 000	8 000
110		16	4.331	0.630		25.1	20.4	1.02	12 000	7 500	0.4	61916
125		14	4.921	0.551		35.1	31.5	1.32	11 000	7 000	0.6	* 16016
125		22	4.921	0.866		49.4	40	1.66	11 000	7 000	0.85	* 6016
140		26	5.512	1.024		72.8	55	2.2	9 500	6 000	1.4	* 6216
170		39	6.693	1.535		130	86.5	3.25	8 500	5 300	3.6	* 6316
200		48	7.874	1.890		163	125	4.5	7 500	4 800	8	6416

* SKF Explorer bearing

Single row deep groove ball bearings

d 85 - 110 mm

d 3.346 - 4.331 in



Principal dimensions						Basic load ratings		Fatigue load limit P_u	Speed ratings		Mass kg	Designation
d	D	B	d	D	B	dynamic C	static C_0		Reference speed	Limiting speed		
mm			in			kN		r/min				
85	110	13	3.346	4.331	0.512	19.5	20.8	0.88	12 000	7 500	0.27	61817
	120	18		4.724	0.709	31.9	30	1.25	11 000	7 000	0.55	61917
	130	14		5.118	0.551	35.8	33.5	1.37	11 000	6 700	0.63	*16017
	130	22		5.118	0.866	52	43	1.76	11 000	6 700	0.89	*6017
	150	28		5.906	1.102	87.1	64	2.5	9 000	5 600	1.8	*6217
	180	41		7.087	1.614	140	96.5	3.55	8 000	5 000	4.25	*6317
	210	52		8.268	2.047	174	137	4.75	7 000	4 500	9.5	6417
90	115	13	3.543	4.528	0.512	19.5	22	0.915	11 000	7 000	0.28	61818
	125	18		4.921	0.709	33.2	31.5	1.23	11 000	6 700	0.59	61918
	140	16		5.512	0.630	43.6	39	1.56	10 000	6 300	0.85	*16018
	140	24		5.512	0.945	60.5	50	1.96	10 000	6 300	1.15	*6018
	160	30		6.299	1.181	101	73.5	2.8	8 500	5 300	2.15	*6218
	190	43		7.480	1.693	151	108	3.8	7 500	4 800	4.9	*6318
	225	54		8.858	2.126	186	150	5	6 700	4 300	11.5	6418
95	120	13	3.740	4.724	0.512	19.9	22.8	0.93	11 000	6 700	0.3	61819
	130	18		5.118	0.709	33.8	33.5	1.43	10 000	6 300	0.61	61919
	145	16		5.709	0.630	44.8	41.5	1.63	9 500	6 000	0.89	*16019
	145	24		5.709	0.945	63.7	54	2.08	9 500	6 000	1.2	*6019
	170	32		6.693	1.260	114	81.5	3	8 000	5 000	2.6	*6219
	200	45		7.874	1.772	159	118	4.15	7 000	4 500	5.65	*6319
100	125	13	3.937	4.921	0.512	19.9	24	0.95	10 000	6 300	0.31	61820
	140	20		5.512	0.787	42.3	41	1.63	9 500	6 000	0.83	61920
	150	16		5.906	0.630	46.2	44	1.73	9 500	5 600	0.91	*16020
	150	24		5.906	0.945	63.7	54	2.04	9 500	5 600	1.25	*6020
	180	34		7.087	1.339	127	93	3.35	7 500	4 800	3.15	*6220
	215	47		8.465	1.850	174	140	4.75	6 700	4 300	7	6320
105	130	13	4.134	5.118	0.512	20.8	19.6	1	10 000	6 300	0.32	61821
	145	20		5.709	0.787	44.2	44	1.7	9 500	5 600	0.87	61921
	160	18		6.299	0.709	54	51	1.86	8 500	5 300	1.2	*16021
	160	26		6.299	1.024	76.1	65.5	2.4	8 500	5 300	1.6	*6021
	190	36		7.480	1.417	140	104	3.65	7 000	4 500	3.7	*6221
	225	49		8.858	1.929	182	153	5.1	6 300	4 000	8.25	6321
110	140	16	4.331	5.512	0.630	28.1	26	1.25	9 500	5 600	0.6	61822
	150	20		5.906	0.787	43.6	45	1.66	9 000	5 600	0.9	61922
	170	19		6.693	0.748	60.2	57	2.04	8 000	5 000	1.45	*16022
	170	28		6.693	1.102	85.2	73.5	2.4	8 000	5 000	1.95	*6022
	200	38		7.874	1.496	151	118	4	6 700	4 300	4.35	*6222
	240	50		9.449	1.969	203	180	5.7	6 000	3 800	9.55	6322

* SKF Explorer bearing

Single row deep groove ball bearings

d 120 - 180 mm
d 4.724 - 7.087 in



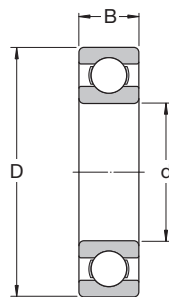
Principal dimensions						Basic load ratings		Fatigue load limit P_u	Speed ratings		Mass kg	Designation
d	D	B	d	D	B	dynamic C	static C_0		Reference speed	Limiting speed		
			in			kN		kN	r/min			
120	150	16	4.724	5.906	0.630	29.1	28	1.29	8 500	5 300	0.65	61824
	165	22		6.496	0.866	55.3	57	2.04	8 000	5 000	1.2	61924
	180	19		7.087	0.748	63.7	64	2.2	7 500	4 800	1.6	*16024
	180	28		7.087	1.102	88.4	80	2.75	7 500	4 800	2.05	*6024
	215	40		8.465	1.575	146	118	3.9	6 300	4 000	5.15	6224
	260	55		10.236	2.165	208	186	5.7	5 600	3 400	12.5	6324
130	165	18	5.118	6.496	0.709	37.7	43	1.6	8 000	4 800	0.93	61826
	180	24		7.087	0.945	65	67	2.28	7 500	4 500	1.85	61926
	200	22		7.874	0.866	83.2	81.5	2.7	7 000	4 300	2.35	*16026
	200	33		7.874	1.299	112	100	3.35	7 000	4 300	3.15	*6026
	230	40		9.055	1.575	156	132	4.15	5 600	3 600	5.8	6226
	280	58		11.024	2.283	229	216	6.3	5 000	3 200	17.5	6326 M
140	175	18	5.512	6.890	0.709	39	46.5	1.66	7 500	4 500	0.99	61828
	190	24		7.480	0.945	66.3	72	2.36	7 000	5 600	1.7	61928 MA
	210	22		8.268	0.866	80.6	86.5	2.8	6 700	4 000	2.5	16028
	210	33		8.268	1.299	111	108	3.45	6 700	4 000	3.35	6028
	250	42		9.843	1.654	165	150	4.55	5 300	3 400	7.45	6228
	300	62		11.811	2.441	251	245	7.1	4 800	4 300	22	6328 M
150	190	20	5.906	7.480	0.787	48.8	61	1.96	6 700	4 300	1.4	61830
	210	28		8.268	1.102	88.4	93	2.9	6 300	5 300	3.05	61930 MA
	225	24		8.858	0.945	92.2	98	3.05	6 000	3 800	3.15	16030
	225	35		8.858	1.378	125	125	3.9	6 000	3 800	4.8	6030
	270	45		10.630	1.772	174	166	4.9	5 000	3 200	9.4	6230
	320	65		12.598	2.559	276	285	7.8	4 300	4 000	26	6330 M
160	200	20	6.299	7.874	0.787	49.4	64	2	6 300	4 000	1.45	61832
	220	28		8.661	1.102	92.3	98	3.05	6 000	5 000	3.25	61932 MA
	240	25		9.449	0.984	99.5	108	3.25	5 600	3 600	3.7	16032
	240	38		9.449	1.496	143	143	4.3	5 600	3 600	5.9	6032
	290	48		11.417	1.890	186	186	5.3	4 500	3 000	14.5	6232
	340	68		13.386	2.677	276	285	7.65	4 000	3 800	29	6332 M
170	215	22	6.693	8.465	0.866	61.8	78	2.4	6 000	3 600	1.9	61834
	230	28		9.055	1.102	93.6	106	3.15	5 600	4 800	3.4	61934 MA
	260	28		10.236	1.102	119	129	3.75	5 300	3 200	5	16034
	260	42		10.236	1.654	168	173	5	5 300	4 300	7.9	6034 M
	310	52		12.205	2.047	212	224	6.1	4 300	3 800	17.5	6234 M
	360	72		14.173	2.835	312	340	8.8	3 800	3 400	34.5	6334 M
180	225	22	7.087	8.858	0.866	62.4	81.5	2.45	5 600	3 400	2	61836
	250	33		9.843	1.299	119	134	3.9	5 300	4 300	5.05	61936 MA
	280	31		11.024	1.220	138	146	4.15	4 800	4 000	6.6	16036
	280	46		11.024	1.811	190	200	5.6	4 800	4 000	10.5	6036 M
	320	52		12.598	2.047	229	240	6.4	4 000	3 600	18.5	6236 M
	380	75		14.961	2.953	351	405	10.4	3 600	3 200	42.5	6336 M

* SKF Explorer bearing

Single row deep groove ball bearings

d 190 - 320 mm

d 7.480 - 12.598 in



Principal dimensions						Basic load ratings		Fatigue load limit P_u	Speed ratings		Mass kg	Designation
d	D	B	d	D	B	dynamic C	static C_0		Reference speed	Limiting speed		
mm			in			kN		r/min				
190	240	24	7.480	9.449	0.945	76.1	98	2.8	5 300	3 200	2.6	61838
	260	33		10.236	1.299	117	134	3.8	5 000	4 300	5.25	61938 MA
	290	31		11.417	1.220	148	166	4.55	4 800	3 000	7.9	16038
	290	46		11.417	1.811	195	216	5.85	4 800	3 800	11	6038 M
	340	55		13.386	2.165	255	280	7.35	3 800	3 400	23	6238 M
	400	78		15.748	3.071	371	430	10.8	3 400	3 000	49	6338 M
200	250	24	7.874	9.843	0.945	76.1	102	2.9	5 000	3 200	2.7	61840
	280	38		11.024	1.496	148	166	4.55	4 800	3 800	7.4	61940 MA
	310	34		12.205	1.339	168	190	5.1	4 300	2 800	8.85	16040
	310	51		12.205	2.008	216	245	6.4	4 300	3 600	14	6040 M
	360	58		14.173	2.283	270	310	7.8	3 600	3 200	28	6240 M
220	270	24	8.661	10.630	0.945	78	110	3	4 500	2 800	3	61844
	300	38		11.811	1.496	151	180	4.75	4 300	3 600	8	61944 MA
	340	37		13.386	1.457	174	204	5.2	4 000	2 400	11.5	16044
	340	56		13.386	2.205	247	290	7.35	4 000	3 200	18.5	6044 M
	400	65		15.748	2.559	296	365	8.8	3 200	3 000	37	6244 M
	460	88		18.110	3.465	410	520	12	3 000	2 600	72.5	6344 M
240	300	28	9.449	11.811	1.102	108	150	3.8	4 000	2 600	4.5	61848
	320	38		12.598	1.496	159	200	5.1	4 000	3 200	8.6	61948 MA
	360	37		14.173	1.457	178	220	5.3	3 600	3 000	14.5	16048 MA
	360	56		14.173	2.205	255	315	7.8	3 600	3 000	19.5	6048 M
	440	72		17.323	2.835	358	465	10.8	3 000	2 600	51	6248 M
	500	95		19.685	3.740	442	585	12.9	2 600	2 400	92.5	6348 M
260	320	28	10.236	12.598	1.102	111	163	4	3 800	2 400	4.8	61852
	360	46		14.173	1.811	212	270	6.55	3 600	3 000	14.5	61952 MA
	400	44		15.748	1.732	238	310	7.2	3 200	2 800	21.5	16052 MA
	400	65		15.748	2.559	291	375	8.8	3 200	2 800	29.5	6052 M
	480	80		18.898	3.150	390	530	11.8	2 600	2 400	65.5	6252 M
280	350	33	11.024	13.780	1.299	138	200	4.75	3 400	2 200	7.4	61856
	380	46		14.961	1.811	216	285	6.7	3 200	2 800	15	61956 MA
	420	44		16.535	1.732	242	335	7.5	3 000	2 600	23	16056 MA
	420	65		16.535	2.559	302	405	9.3	3 000	2 600	31	6056 M
	500	80		19.685	3.150	423	600	12.9	2 600	2 200	71	6256 M
300	380	38	11.811	14.961	1.496	172	245	5.6	3 200	2 600	10.5	61860 MA
	420	56		16.535	2.205	270	375	8.3	3 000	2 400	24.5	61960 MA
	460	50		18.110	1.969	286	405	8.8	2 800	2 400	32	16060 MA
	460	74		18.110	2.913	358	500	10.8	2 800	2 400	44	6060 M
	540	85		21.260	3.346	462	670	13.7	2 400	2 000	88.5	6260 M
320	400	38	12.598	15.748	1.496	172	255	5.7	3 000	2 400	11	61864 MA
	440	56		17.323	2.205	276	400	8.65	2 800	2 400	25.5	61964 MA
	480	50		18.898	1.969	281	405	8.65	2 600	2 200	34	16064 MA
	480	74		18.898	2.913	371	540	11.4	2 600	2 200	46	6064 M

Single row deep groove ball bearings

d 340 - 600 mm

d 13.386 - 23.622 in

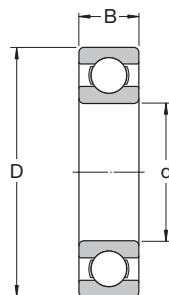


Principal dimensions						Basic load ratings		Fatigue load limit P_u	Speed ratings		Mass kg	Designation
d	D	B	d	D	B	dynamic C	static C_0		Reference speed	Limiting speed		
mm			in			kN		kN	r/min			—
340	420	38	13.386	16.535	1.496	178	275	6	2 800	2 400	11.5	61868 MA
	460	56		18.110	2.205	281	425	9	2 600	2 200	26.5	61968 MA
	520	57		20.472	2.244	345	520	10.6	2 400	2 000	45	16068 MA
	520	82		20.472	3.228	423	640	13.2	2 400	2 000	62	6068 M
360	440	38	14.173	17.323	1.496	182	285	6.1	2 600	2 200	12	61872 MA
	480	56		18.898	2.205	291	450	9.15	2 600	2 000	28	61972 MA
	540	57		21.260	2.244	351	550	11	2 400	1 900	49	16072 MA
	540	82		21.260	3.228	462	735	15	2 400	1 900	64.5	6072 M
380	480	46	14.961	18.898	1.811	242	390	8	2 400	2 000	20	61876 MA
	520	65		20.472	2.559	338	540	10.8	2 400	1 900	40	61976 MA
	560	57		22.047	2.244	377	620	12.2	2 200	1 800	51	16076 MA
	560	82		22.047	3.228	462	750	14.6	2 200	1 800	67.5	6076 M
400	500	46	15.748	19.685	1.811	247	405	8.15	2 400	1 900	20.5	61880 MA
	540	65		21.260	2.559	345	570	11.2	2 200	1 800	41.5	61980 MA
	600	90		23.622	3.543	520	865	16.3	2 000	1 700	87.5	6080 M
420	520	46	16.535	20.472	1.811	251	425	8.3	2 200	1 800	21.5	61884 MA
	560	65		22.047	2.559	351	600	11.4	2 200	1 800	43	61984 MA
	620	90		24.409	3.543	507	880	16.3	2 000	1 600	91.5	6084 M
440	540	46	17.323	21.260	1.811	255	440	8.5	2 200	1 800	22.5	61888 MA
	600	74		23.622	2.913	410	720	13.2	2 000	1 600	60.5	61988 MA
	650	94		25.591	3.701	553	965	17.6	1 900	1 500	105	6088 M
460	580	56	18.110	22.835	2.205	319	570	10.6	2 000	1 600	35	61892 MA
	620	72		24.409	2.835	423	750	13.7	1 900	1 600	62.5	61992 MA
	680	100		26.772	3.937	582	1 060	19	1 800	1 500	120	6092 MB
480	600	56	18.898	23.622	2.205	325	600	10.8	1 900	1 600	36.5	61896 MA
	650	78		25.591	3.071	449	815	14.6	1 800	1 500	74	61996 MA
	700	100		27.559	3.937	618	1 140	20	1 700	1 400	125	6096 MB
500	620	56	19.685	24.409	2.205	332	620	11.2	1 800	1 500	40.5	618/500 MA
	670	78		26.378	3.071	462	865	15	1 700	1 400	77	619/500 MA
	720	100		28.346	3.937	605	1 140	19.6	1 600	1 300	135	60/500 N1MAS
530	650	56	20.866	25.591	2.205	332	655	11.2	1 700	1 400	39.5	618/530 MA
	710	82		27.953	3.228	488	930	15.6	1 600	1 300	90.5	619/530 MA
	780	112		30.709	4.409	650	1 270	20.8	1 500	1 200	185	60/530 N1MAS
560	680	56	22.047	26.772	2.205	345	695	11.8	1 600	1 300	42	618/560 MA
	750	85		29.528	3.346	494	980	16.3	1 500	1 200	105	619/560 MA
	820	115		32.283	4.528	663	1 470	22	1 400	1 200	210	60/560 N1MAS
600	730	60	23.622	28.740	2.362	364	765	12.5	1 500	1 200	52	618/600 MA
	800	90		31.496	3.543	585	1 220	19.6	1 400	1 100	125	619/600 MA

Single row deep groove ball bearings

d 630 - 1500 mm

d 24.803 - 59.055 in



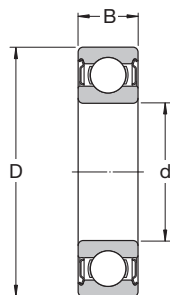
Principal dimensions						Basic load ratings		Fatigue load limit P_u	Speed ratings		Mass kg	Designation
d	D	B	d	D	B	dynamic C	static C_0		Reference speed	Limiting speed		
mm			in			kN		r/min				
630	780	69	24.803	30.709	2.717	442	965	15.3	1 400	1 100	73	618/630 MA
	850	100		33.465	3.937	624	1 340	21.2	1 300	1 100	160	619/630 N1MA
	920	128		36.220	5.039	819	1 760	27	1 200	1 000	285	60/630 N1MBS
670	820	69	26.378	32.283	2.717	442	1 000	15.6	1 300	1 100	83.5	618/670 MA
	900	103		35.433	4.055	676	1 500	22.4	1 200	1 000	185	619/670 MA
	980	136		38.583	5.354	904	2 040	30	1 100	900	345	60/670 N1MAS
710	870	74	27.953	34.252	2.913	475	1 100	16.6	1 200	1 000	93.5	618/710 MA
	950	106		37.402	4.173	663	1 500	22	1 100	900	220	619/710 MA
	1 030	140		40.551	5.512	956	2 200	31.5	1 000	850	375	60/710 MA
750	920	78	29.528	36.220	3.071	527	1 250	18.3	1 100	900	110	618/750 MA
	1 000	112		39.370	4.409	761	1 800	25.5	1 000	850	255	619/750 MA
800	980	82	31.496	38.583	3.228	559	1 370	19.3	1 000	850	130	618/800 MA
	1 060	115		41.732	4.528	832	2 040	28.5	950	800	275	619/800 MA
	1 150	155		45.276	6.102	1 010	2 550	34.5	900	750	535	60/800 N1MAS
850	1 030	82	33.465	40.551	3.228	559	1 430	19.6	950	750	140	618/850 MA
900	1 090	85	35.433	42.913	3.346	618	1 600	21.6	850	700	160	618/900 MA
1 000	1 220	100	39.370	48.031	3.937	637	1 800	22.8	750	600	245	618/1000 MA
1 060	1 280	100	41.732	50.394	3.937	728	2 120	26.5	670	560	260	618/1060 MA
1 120	1 360	106	44.094	53.543	4.173	741	2 200	26.5	630	530	315	618/1120 MA
1 180	1 420	106	46.457	55.905	4.173	761	2 360	27.5	560	480	330	618/1180 MB
1 500	1 820	140	59.055	71.653	5.512	1 210	4 400	46.5	380	240	690	618/1500 TN



Sealed single row deep groove ball bearings

d 3 - 7 mm

d 0.118 - 0.276 in



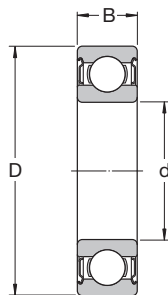
Principal dimensions						Basic load ratings		Fatigue load limit P_u	Speed ratings		Mass kg	Designations			
d	D	B	d	D	B	dynamic C	static C_0		Reference speed	Limiting speed		sealed both sides	sealed one side		
mm			in			kN		kN		r/min	kg		-		
3	10	4	0.118	0.394	0.157	0.54	0.18	0.007	130 000	60 000	0.0015	623-2Z	623-Z		
	10	4		0.394	0.157	0.54	0.18		-	40 000		0.0015	623-2RS1	623-RS1	
4	9	3.5	0.157	0.354	0.138	0.54	0.18	0.007	140 000	70 000	0.001	628/4-2Z	-		
	9	4		0.354	0.157	0.54	0.18		0.007	140 000		70 000	0.0013	638/4-2Z	-
	11	4		0.433	0.157	0.72	0.23		0.01	130 000		63 000	0.0017	619/4-2Z	-
	12	4		0.472	0.157	0.81	0.28		0.012	120 000		60 000	0.0021	604-2Z	604-Z
	13	5		0.512	0.197	0.94	0.29		0.012	110 000		53 000	0.0031	624-2Z	624-Z
	16	5		0.630	0.197	1.11	0.38		0.016	95 000		48 000	0.0054	634-2Z	634-Z
	16	5		0.630	0.197	1.11	0.38		0.016	95 000		48 000	0.0054	634-2RZ	634-RZ
16	5	0.630	0.197	1.11	0.38	0.016	-	28 000	0.0054	634-2RS1	634-RS1				
5	11	4	0.197	0.433	0.157	0.64	0.26	0.011	120 000	60 000	0.0014	628/5-2Z	-		
	11	5		0.433	0.197	0.64	0.26		0.011	120 000		60 000	0.0016	638/5-2Z	-
	13	4		0.512	0.157	0.88	0.34		0.014	110 000		53 000	0.0025	619/5-2Z	-
	16	5		0.630	0.197	1.14	0.38		0.016	95 000		48 000	0.005	*625-2Z	*625-Z
	19	6		0.748	0.236	2.34	0.95		0.04	80 000		40 000	0.009	*635-2Z	*635-Z
	19	6		0.748	0.236	2.34	0.95		0.04	80 000		40 000	0.009	*635-2RZ	*635-RZ
	19	6		0.748	0.236	2.34	0.95		0.04	-		24 000	0.009	*635-2RS1	*635-RS1
6	13	5	0.236	0.512	0.197	0.88	0.35	0.015	110 000	53 000	0.0026	628/6-2Z	-		
	15	5		0.591	0.197	1.24	0.48		0.02	100 000		50 000	0.0039	619/6-2Z	-
	19	6		0.748	0.236	2.34	0.95		0.04	80 000		40 000	0.0084	*626-2Z	*626-Z
	19	6		0.748	0.236	2.34	0.95		0.04	80 000		40 000	0.0084	*626-2RSL	*626-RSL
	19	6		0.748	0.236	2.34	0.95		0.04	-		24 000	0.0084	*626-2RSH	*626-RSH
	19	6		0.748	0.236	2.34	0.95		0.04	-		24 000	0.0084	*626-2RSH	*626-RSH
7	14	5	0.276	0.551	0.197	0.956	0.4	0.017	100 000	50 000	0.0031	628/7-2Z	-		
	17	5		0.669	0.197	1.48	0.56		0.024	90 000		45 000	0.0049	619/7-2Z	-
	19	6	0.748	0.236	2.34	0.95	0.04	85 000	43 000	0.0075	*607-2Z	*607-Z			
	19	6	0.748	0.236	2.34	0.95	0.04	85 000	43 000	0.0075	*607-2RSL	*607-RSL			
	19	6	0.748	0.236	2.34	0.95	0.04	-	24 000	0.0075	*607-2RSH	*607-RSH			
	22	7	0.866	0.276	3.45	1.37	0.057	70 000	36 000	0.013	*627-2Z	*627-Z			
	22	7	0.866	0.276	3.45	1.37	0.057	70 000	36 000	0.012	*627-2RSL	*627-RSL			
	22	7	0.866	0.276	3.45	1.37	0.057	-	22 000	0.012	*627-2RSH	*627-RSH			

* SKF Explorer bearing

Sealed single row deep groove ball bearings

d 8 - 10 mm

d 0.315 - 0.394 in



Principal dimensions						Basic load ratings		Fatigue load limit P _u	Speed ratings		Mass	Designations	
d	D	B	d	D	B	dynamic C	static C ₀		Reference speed	Limiting speed		sealed both sides	sealed one side
mm			in			kN		kN	r/min	kg	–		
8	16	5	0.315	0.630	0.197	1.33	0.57	0.024	90 000	45 000	0.0036	628/8-2Z	–
	16	5		0.630	0.197	1.33	0.57	0.024	–	26 000	0.0036	628/8-2RS1	–
	16	6		0.630	0.236	1.33	0.57	0.024	90 000	45 000	0.0043	638/8-2Z	–
	19	6		0.748	0.236	1.9	0.74	0.031	80 000	40 000	0.0071	619/8-2Z	–
	19	6		0.748	0.236	1.9	0.74	0.031	–	24 000	0.0071	619/8-2RS1	–
	19	6		0.748	0.236	2.21	0.95	0.04	85 000	43 000	0.0072	607/8-2Z	607/8-Z
	22	7		0.866	0.276	3.45	1.37	0.057	75 000	38 000	0.012	*608-2Z	*608-Z
	22	7		0.866	0.276	3.45	1.37	0.057	75 000	38 000	0.012	*608-2RSL	*608-RSL
	22	7		0.866	0.276	3.45	1.37	0.057	–	22 000	0.012	*608-2RSH	*608-RSH
	22	11		0.866	0.433	3.45	1.37	0.057	–	22 000	0.016	630/8-2RS1	–
	24	8		0.945	0.315	3.9	1.66	0.071	63 000	32 000	0.017	*628-2Z	*628-Z
	24	8		0.945	0.315	3.9	1.66	0.071	63 000	32 000	0.017	*628-2RZ	*628-RZ
	24	8		0.945	0.315	3.9	1.66	0.071	–	19 000	0.017	*628-2RS1	*628-RS1
	28	9		1.102	0.354	4.62	1.96	0.083	60 000	30 000	0.03	638-2RZ	638-RZ
9	17	5	0.354	0.669	0.197	1.43	0.64	0.027	85 000	43 000	0.0043	628/9-2Z	628/9-Z
	17	5		0.669	0.197	1.43	0.64	0.027	–	24 000	0.0043	628/9-2RS1	–
	20	6		0.787	0.236	2.08	0.87	0.036	80 000	38 000	0.0076	619/9-2Z	–
	24	7		0.945	0.276	3.9	1.66	0.071	70 000	34 000	0.014	*609-2Z	*609-Z
	24	7		0.945	0.276	3.9	1.66	0.071	70 000	34 000	0.014	*609-2RSL	*609-RSL
	24	7		0.945	0.276	3.9	1.66	0.071	–	19 000	0.014	*609-2RSH	*609-RSH
	26	8		1.024	0.315	4.75	1.96	0.083	60 000	30 000	0.02	*629-2Z	*629-Z
	26	8		1.024	0.315	4.75	1.96	0.083	60 000	30 000	0.02	*629-2RSL	*629-RSL
	26	8		1.024	0.315	4.75	1.96	0.083	–	19 000	0.02	*629-2RSH	*629-RSH
	10	19	5	0.394	0.748	0.197	1.38	0.59	0.025	80 000	38 000	0.0055	61800-2Z
19		5	0.748		0.197	1.38	0.59	0.025	–	22 000	0.0055	61800-2RS1	–
22		6	0.866		0.236	2.08	0.85	0.036	75 000	36 000	0.01	61900-2Z	–
22		6	0.866		0.236	2.08	0.85	0.036	–	20 000	0.01	61900-2RS1	–
26		8	1.024		0.315	4.75	1.96	0.083	67 000	34 000	0.019	*6000-2Z	*6000-Z
26		8	1.024		0.315	4.75	1.96	0.083	67 000	34 000	0.019	*6000-2RSL	*6000-RSL
26		8	1.024		0.315	4.75	1.96	0.083	–	19 000	0.019	*6000-2RSH	*6000-RSH
26		12	1.024		0.472	4.62	1.96	0.083	–	19 000	0.025	63000-2RS1	–
28		8	1.102		0.315	4.62	1.96	0.083	63 000	32 000	0.022	16100-2Z	–
30		9	1.181		0.354	5.4	2.36	0.1	56 000	28 000	0.032	*6200-2Z	*6200-Z
30		9	1.181	0.354	5.4	2.36	0.1	56 000	28 000	0.032	*6200-2RSL	*6200-RSL	
30		9	1.181	0.354	5.4	2.36	0.1	–	17 000	0.032	*6200-2RSH	*6200-RSH	
30		14	1.181	0.551	5.07	2.36	0.1	–	17 000	0.04	62200-2RS1	–	
35		11	1.378	0.433	8.52	3.4	0.143	50 000	26 000	0.053	*6300-2Z	*6300-Z	
35		11	1.378	0.433	8.52	3.4	0.143	50 000	26 000	0.053	*6300-2RSL	*6300-RSL	
35		11	1.378	0.433	8.52	3.4	0.143	–	15 000	0.053	*6300-2RSH	*6300-RSH	
35		17	1.378	0.669	8.06	3.4	0.143	–	15 000	0.06	62300-2RS1	–	

* SKF Explorer bearing

Sealed single row deep groove ball bearings

d 12 - 15 mm

d 0.472 - 0.591 in



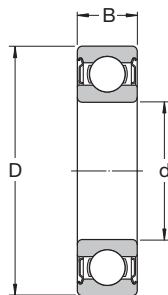
Principal dimensions						Basic load ratings		Fatigue load limit	Speed ratings		Mass	Designations		
d	D	B	d	D	B	dynamic	static	P _u	Reference speed	Limiting speed		sealed both sides	sealed one side	
mm			in			kN		kN	r/min		kg	–		
12	21	5	0.472	0.827	0.197	1.43	0.67	0.028	70 000	36 000	0.0063	61801-2Z	–	
	21	5		0.827	0.197	1.43	0.67	0.028	–	20 000	0.0063	61801-2RS1	–	
	24	6		0.945	0.236	2.25	0.98	0.043	67 000	32 000	0.011	61901-2Z	–	
	24	6		0.945	0.236	2.25	0.98	0.043	–	19 000	0.011	61901-2RS1	–	
	28	8		1.102	0.315	5.4	2.36	0.1	60 000	30 000	0.022	*6001-2Z	*6001-Z	
	28	8		1.102	0.315	5.4	2.36	0.1	60 000	30 000	0.022	*6001-2RSL	*6001-RSL	
	28	8		1.102	0.315	5.4	2.36	0.1	–	17 000	0.022	*6001-2RSH	*6001-RSH	
	28	12		1.102	0.472	5.07	2.36	0.1	–	17 000	0.029	63001-2RS1	–	
	30	8		1.181	0.315	5.07	2.36	0.1	56 000	28 000	0.023	16101-2Z	–	
	30	8		1.181	0.315	5.07	2.36	0.1	–	16 000	0.023	16101-2RS1	–	
		32		10	1.260	0.394	7.28	3.1	0.132	50 000	26 000	0.037	*6201-2Z	*6201-Z
		32		10	1.260	0.394	7.28	3.1	0.132	50 000	26 000	0.037	*6201-2RSL	*6201-RSL
		32		10	1.260	0.394	7.28	3.1	0.132	–	15 000	0.037	*6201-2RSH	*6201-RSH
		32		14	1.260	0.551	6.89	3.1	0.132	–	15 000	0.045	62201-2RS1	–
		37		12	1.457	0.472	10.1	4.15	0.176	45 000	22 000	0.06	*6301-2Z	*6301-Z
		37		12	1.457	0.472	10.1	4.15	0.176	45 000	22 000	0.06	*6301-2RSL	*6301-RSL
		37		12	1.457	0.472	10.1	4.15	0.176	–	14 000	0.06	*6301-2RSH	*6301-RSH
		37		17	1.457	0.669	9.75	4.15	0.176	–	14 000	0.07	62301-2RS1	–
15	24	5	0.591	0.945	0.197	1.56	0.8	0.034	60 000	30 000	0.0074	61802-2Z	–	
	24	5		0.945	0.197	1.56	0.8	0.034	–	17 000	0.0074	61802-2RS1	–	
	28	7		1.102	0.276	4.36	2.24	0.095	56 000	28 000	0.016	61902-2Z	–	
	28	7		1.102	0.276	4.36	2.24	0.095	56 000	28 000	0.016	61902-2RZ	–	
	28	7		1.102	0.276	4.36	2.24	0.095	–	16 000	0.016	61902-2RS1	–	
	32	8		1.260	0.315	5.85	2.85	0.12	50 000	26 000	0.025	*16002-2Z	*16002-Z	
	32	9		1.260	0.354	5.85	2.85	0.12	50 000	26 000	0.03	*6002-2Z	*6002-Z	
	32	9		1.260	0.354	5.85	2.85	0.12	50 000	26 000	0.03	*6002-2RSL	*6002-RSL	
	32	9		1.260	0.354	5.85	2.85	0.12	–	14 000	0.03	*6002-2RSH	*6002-RSH	
	32	13		1.260	0.512	5.59	2.85	0.12	–	14 000	0.039	63002-2RS1	–	
		35		11	1.378	0.433	8.06	3.75	0.16	43 000	22 000	0.045	*6202-2Z	*6202-Z
		35		11	1.378	0.433	8.06	3.75	0.16	43 000	22 000	0.045	*6202-2RSL	*6202-RSL
		35		11	1.378	0.433	8.06	3.75	0.16	–	13 000	0.045	*6202-2RSH	*6202-RSH
		35		14	1.378	0.551	7.8	3.75	0.16	–	13 000	0.054	62202-2RS1	–
		42		13	1.654	0.512	11.9	5.4	0.228	38 000	19 000	0.082	*6302-2Z	*6302-Z
		42		13	1.654	0.512	11.9	5.4	0.228	38 000	19 000	0.082	*6302-2RSL	*6302-RSL
		42		13	1.654	0.512	11.9	5.4	0.228	–	12 000	0.082	*6302-2RSH	*6302-RSH
		42		17	1.654	0.669	11.4	5.4	0.228	–	12 000	0.11	62302-2RS1	–

* SKF Explorer bearing

Sealed single row deep groove ball bearings

d 17 - 22 mm

d 0.669 - 0.866 in



Principal dimensions						Basic load ratings		Fatigue load limit P _u	Speed ratings		Mass kg	Designations	
d	D	B	d	D	B	dynamic C	static C ₀		Reference speed	Limiting speed		sealed both sides	sealed one side
mm			in			kN		kN	r/min	kg		—	
17	26	5	0.669	1.024	0.197	1.68	0.93	0.039	56 000	28 000	0.0082	61803-2Z	—
	26	5		1.024	0.197	1.68	0.93	0.039	56 000	28 000	0.0082	61803-2RZ	—
	26	5		1.024	0.197	1.68	0.93	0.039	—	16 000	0.0082	61803-2RS1	—
	30	7		1.181	0.276	4.62	2.55	0.108	50 000	26 000	0.018	61903-2Z	—
	30	7		1.181	0.276	4.62	2.55	0.108	50 000	26 000	0.018	61903-2RZ	—
	30	7		1.181	0.276	4.62	2.55	0.108	—	14 000	0.018	61903-2RS1	—
	35	8		1.378	0.315	6.37	3.25	0.137	45 000	22 000	0.032	*16003-2Z	—
	35	10		1.378	0.394	6.37	3.25	0.137	45 000	22 000	0.039	*6003-2Z	*6003-Z
	35	10		1.378	0.394	6.37	3.25	0.137	45 000	22 000	0.039	*6003-2RSL	*6003-RSL
	35	10		1.378	0.394	6.37	3.25	0.137	—	13 000	0.039	*6003-2RSH	*6003-RSH
	35	14		1.378	0.551	6.05	3.25	0.137	—	13 000	0.052	63003-2RS1	—
	40	12		1.575	0.472	9.95	4.75	0.2	38 000	19 000	0.065	*6203-2Z	*6203-Z
	40	12		1.575	0.472	9.95	4.75	0.2	38 000	19 000	0.065	*6203-2RSL	*6203-RSL
	40	12		1.575	0.472	9.95	4.75	0.2	—	12 000	0.065	*6203-2RSH	*6203-RSH
	40	16		1.575	0.630	9.56	4.75	0.2	—	12 000	0.083	62203-2RS1	—
	47	14		1.850	0.551	14.3	6.55	0.275	34 000	17 000	0.12	*6303-2Z	*6303-Z
	47	14		1.850	0.551	14.3	6.55	0.275	34 000	17 000	0.12	*6303-2RSL	*6303-RSL
	47	14		1.850	0.551	14.3	6.55	0.275	—	11 000	0.12	*6303-2RSH	*6303-RSH
47	19	1.850	0.748	13.5	6.55	0.275	—	11 000	0.15	62303-2RS1	—		
20	32	7	0.787	1.260	0.276	4.03	2.32	0.104	45 000	22 000	0.018	61804-2RZ	—
	32	7		1.260	0.276	4.03	2.32	0.104	—	13 000	0.018	61804-2RS1	—
	37	9		1.457	0.354	6.37	3.65	0.156	43 000	20 000	0.038	61904-2RZ	—
	37	9		1.457	0.354	6.37	3.65	0.156	—	12 000	0.038	61904-2RS1	—
	42	12		1.654	0.472	9.95	5	0.212	38 000	19 000	0.069	*6004-2Z	*6004-Z
	42	12		1.654	0.472	9.95	5	0.212	38 000	19 000	0.069	*6004-2RSL	*6004-RSL
	42	12		1.654	0.472	9.95	5	0.212	—	11 000	0.069	*6004-2RSH	*6004-RSH
	42	16		1.654	0.630	9.36	5	0.212	—	11 000	0.086	63004-2RS1	—
	47	14		1.850	0.551	13.5	6.55	0.28	32 000	17 000	0.11	*6204-2Z	*6204-Z
	47	14		1.850	0.551	13.5	6.55	0.28	32 000	17 000	0.11	*6204-2RSL	*6204-RSL
	47	14		1.850	0.551	13.5	6.55	0.28	—	10 000	0.11	*6204-2RSH	*6204-RSH
	47	18		1.850	0.709	12.7	6.55	0.28	—	10 000	0.13	62204-2RS1	—
	52	15		2.047	0.591	16.8	7.8	0.335	30 000	15 000	0.14	*6304-2Z	*6304-Z
	52	15		2.047	0.591	16.8	7.8	0.335	30 000	15 000	0.14	*6304-2RSL	*6304-RSL
	52	15		2.047	0.591	16.8	7.8	0.335	—	9 500	0.14	*6304-2RSH	*6304-RSH
52	21	2.047	0.827	15.9	7.8	0.335	—	9 500	0.2	62304-2RS1	—		
22	50	14	0.866	1.969	0.551	14	7.65	0.325	—	9 000	0.12	62/22-2RS1	—

* SKF Explorer bearing

Sealed single row deep groove ball bearings

d 25 - 30 mm

d 0.984 - 1.181 in



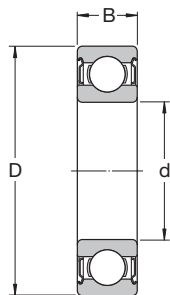
Principal dimensions						Basic load ratings		Fatigue	Speed ratings		Mass	Designations	
d	D	B	d	D	B	dynamic	static	load limit	Reference speed	Limiting speed		sealed both sides	sealed one side
mm			in			C	C ₀	P _u	r/min		kg	–	–
25	37	7	0.984	1.457	0.276	4.36	2.6	0.125	38 000	19 000	0.022	61805-2RZ	–
	37	7		1.457	0.276	4.36	2.6	0.125	–	11 000	0.022	61805-2RS1	–
	42	9		1.654	0.354	7.02	4.3	0.193	36 000	18 000	0.045	61905-2RZ	–
	42	9	1.654	0.354	7.02	4.3	0.193	–	10 000	0.045	61905-2RS1	–	
	47	12	1.850	0.472	11.9	6.55	0.275	32 000	16 000	0.08	*6005-2Z	*6005-Z	
	47	12	1.850	0.472	11.9	6.55	0.275	32 000	16 000	0.08	*6005-2RSL	*6005-RSL	
	47	12	1.850	0.472	11.9	6.55	0.275	–	9 500	0.08	*6005-2RSH	*6005-RSH	
	47	16	1.850	0.630	11.2	6.55	0.275	–	9 500	0.1	63005-2RS1	–	
	52	15	2.047	0.591	14.8	7.8	0.335	28 000	14 000	0.13	*6205-2Z	*6205-Z	
	52	15	2.047	0.591	14.8	7.8	0.335	28 000	14 000	0.13	*6205-2RSL	*6205-RSL	
	52	15	2.047	0.591	14.8	7.8	0.335	–	8 500	0.13	*6205-2RSH	*6205-RSH	
	52	18	2.047	0.709	14	7.8	0.335	–	8 500	0.15	62205-2RS1	–	
	62	17	2.441	0.669	23.4	11.6	0.49	24 000	13 000	0.23	*6305-2Z	*6305-Z	
	62	17	2.441	0.669	23.4	11.6	0.49	24 000	13 000	0.23	*6305-2RZ	*6305-RZ	
	62	17	2.441	0.669	23.4	11.6	0.49	–	7 500	0.23	*6305-2RS1	*6305-RS1	
	62	24	2.441	0.945	22.5	11.6	0.49	–	7 500	0.32	62305-2RS1	–	
30	42	7	1.181	1.654	0.276	4.49	2.9	0.146	32 000	16 000	0.027	61806-2RZ	–
	42	7		1.654	0.276	4.49	2.9	0.146	–	9 500	0.027	61806-2RS1	–
	47	9		1.850	0.354	7.28	4.55	0.212	30 000	15 000	0.051	61906-2RZ	–
	47	9		1.850	0.354	7.28	4.55	0.212	–	8 500	0.051	61906-2RS1	–
	55	13	2.165	0.512	13.8	8.3	0.355	28 000	14 000	0.12	*6006-2Z	*6006-Z	
	55	13	2.165	0.512	13.8	8.3	0.355	28 000	14 000	0.12	*6006-2RZ	*6006-RZ	
	55	13	2.165	0.512	13.8	8.3	0.355	–	8 000	0.12	*6006-2RS1	*6006-RS1	
	55	19	2.165	0.748	13.3	8.3	0.355	–	8 000	0.16	63006-2RS1	–	
	62	16	2.441	0.630	20.3	11.2	0.475	24 000	12 000	0.2	*6206-2Z	*6206-Z	
	62	16	2.441	0.630	20.3	11.2	0.475	24 000	12 000	0.2	*6206-2RZ	*6206-RZ	
	62	16	2.441	0.630	20.3	11.2	0.475	–	7 500	0.2	*6206-2RS1	*6206-RS1	
	62	20	2.441	0.787	19.5	11.2	0.475	–	7 500	0.24	62206-2RS1	–	
	72	19	2.835	0.748	29.6	16	0.67	20 000	11 000	0.35	*6306-2Z	*6306-Z	
	72	19	2.835	0.748	29.6	16	0.67	20 000	11 000	0.35	*6306-2RZ	*6306-RZ	
	72	19	2.835	0.748	29.6	16	0.67	–	6 300	0.35	*6306-2RS1	*6306-RS1	
	72	27	2.835	1.063	28.1	16	0.67	–	6 300	0.48	62306-2RS1	–	

* SKF Explorer bearing

Sealed single row deep groove ball bearings

d 35 - 40 mm

d 1.378 - 1.575 in



Principal dimensions						Basic load ratings		Fatigue load limit P_u	Speed ratings		Mass kg	Designations	
d	D	B	d	D	B	dynamic C	static C_0		Reference speed	Limiting speed		sealed both sides	sealed one side
mm			in			kN		kN	r/min	kg		—	
35	47	7	1.378	1.850	0.276	4.75	3.2	0.166	28 000	14 000	0.03	61807-2RZ	—
	47	7		1.850	0.276	4.75	3.2	0.166	—	8 000	0.03	61807-2RS1	—
	55	10		2.165	0.394	9.56	6.8	0.29	26 000	13 000	0.08	61907-2RZ	—
	55	10	2.165	0.394	9.56	6.8	0.29	—	7 500	0.08	61907-2RS1	—	
	62	14		2.441	0.551	16.8	10.2	0.44	24 000	12 000	0.16	*6007-2Z	*6007-Z
	62	14		2.441	0.551	16.8	10.2	0.44	24 000	12 000	0.16	*6007-2RZ	*6007-RZ
	62	14		2.441	0.551	16.8	10.2	0.44	—	7 000	0.16	*6007-2RS1	*6007-RS1
	62	20		2.441	0.787	15.9	10.2	0.44	—	7 000	0.21	63007-2RS1	—
	72	17		2.835	0.669	27	15.3	0.655	20 000	10 000	0.29	*6207-2Z	*6207-Z
	72	17		2.835	0.669	27	15.3	0.655	—	6 300	0.29	*6207-2RS1	*6207-RS1
	72	23		2.835	0.906	25.5	15.3	0.655	—	6 300	0.37	62207-2RS1	—
	80	21		3.150	0.827	35.1	19	0.815	19 000	9 500	0.46	*6307-2Z	*6307-Z
	80	21		3.150	0.827	35.1	19	0.815	—	6 000	0.46	*6307-2RS1	*6307-RS1
	80	31		3.150	1.220	33.2	19	0.815	—	6 000	0.66	62307-2RS1	—
40	52	7	1.575	2.047	0.276	4.94	3.45	0.186	26 000	13 000	0.034	61808-2RZ	—
	52	7		2.047	0.276	4.94	3.45	0.186	—	7 500	0.034	61808-2RS1	—
	62	12		2.441	0.472	13.8	10	0.425	24 000	12 000	0.12	61908-2RZ	—
	62	12	2.441	0.472	13.8	10	0.425	—	6 700	0.12	61908-2RS1	—	
	68	15		2.677	0.591	17.8	11.6	0.49	22 000	11 000	0.19	*6008-2Z	*6008-Z
	68	15		2.677	0.591	17.8	11.6	0.49	22 000	11 000	0.19	*6008-2RZ	*6008-RZ
	68	15		2.677	0.591	17.8	11.6	0.49	—	6 300	0.19	*6008-2RS1	*6008-RS1
	68	21		2.677	0.827	16.8	11.6	0.49	—	6 300	0.26	63008-2RS1	—
	80	18		3.150	0.709	32.5	19	0.8	18 000	9 000	0.37	*6208-2Z	*6208-Z
	80	18		3.150	0.709	32.5	19	0.8	18 000	9 000	0.37	*6208-2RZ	*6208-RZ
	80	18		3.150	0.709	32.5	19	0.8	—	5 600	0.37	*6208-2RS1	*6208-RS1
	80	23		3.150	0.906	30.7	19	0.8	—	5 600	0.44	62208-2RS1	—
	90	23		3.543	0.906	42.3	24	1.02	17 000	8 500	0.63	*6308-2Z	*6308-Z
	90	23		3.543	0.906	42.3	24	1.02	17 000	8 500	0.63	*6308-2RZ	*6308-RZ
	90	23		3.543	0.906	42.3	24	1.02	—	5 000	0.63	*6308-2RS1	*6308-RS1
	90	33		3.543	1.299	41	24	1.02	—	5 000	0.89	62308-2RS1	—

* SKF Explorer bearing



Sealed single row deep groove ball bearings

d 45 - 50 mm

d 1.772 - 1.969 in

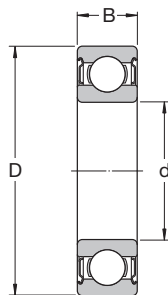
Principal dimensions						Basic load ratings		Fatigue load limit P _u	Speed ratings		Mass kg	Designations		
d	D	B	d	D	B	dynamic C	static C ₀		Reference speed	Limiting speed		sealed both sides	sealed one side	
mm			in			kN		kN	r/min		kg	–		
45	58	7	1.772	2.283	0.276	6.63	6.1	0.26	22 000	11 000	0.04	61809-2RZ	–	
	58	7		2.283	0.276	6.63	6.1	0.26	–	6 700	0.04	61809-2RS1	–	
	68	12		2.677	0.472	14	10.8	0.465	20 000	10 000	0.14	61909-2RZ	–	
	68	12		2.677	0.472	14	10.8	0.465	–	6 000	0.14	61909-2RS1	–	
		75	16		2.953	0.630	22.1	14.6	0.64	20 000	10 000	0.25	*6009-2Z	*6009-Z
		75	16		2.953	0.630	22.1	14.6	0.64	–	5 600	0.25	*6009-2RS1	*6009-RS1
		75	23		2.953	0.906	20.8	14.6	0.64	–	5 600	0.34	63009-2RS1	–
		85	19		3.346	0.748	35.1	21.6	0.915	17 000	8 500	0.41	*6209-2Z	*6209-Z
		85	19		3.346	0.748	35.1	21.6	0.915	–	5 000	0.41	*6209-2RS1	*6209-RS1
		85	23		3.346	0.906	33.2	21.6	0.915	–	5 000	0.48	62209-2RS1	–
		100	25		3.937	0.984	55.3	31.5	1.34	15 000	7 500	0.83	*6309-2Z	*6309-Z
		100	25		3.937	0.984	55.3	31.5	1.34	–	4 500	0.83	*6309-2RS1	*6309-RS1
		100	36		3.937	1.417	52.7	31.5	1.34	–	4 500	1.15	62309-2RS1	–
	50	65	7	1.969	2.559	0.276	6.76	6.8	0.285	20 000	10 000	0.052	61810-2RZ	–
65		7	2.559		0.276	6.76	6.8	0.285	–	6 000	0.052	61810-2RS1	–	
72		12	2.835		0.472	14.6	11.8	0.5	19 000	9 500	0.14	61910-2RZ	–	
72		12	2.835		0.472	14.6	11.8	0.5	–	5 600	0.14	61910-2RS1	–	
		80	16		3.150	0.630	22.9	16	0.71	18 000	9 000	0.26	*6010-2Z	*6010-Z
		80	16		3.150	0.630	22.9	16	0.71	18 000	9 000	0.26	*6010-2RZ	*6010-RZ
		80	16		3.150	0.630	22.9	16	0.71	–	5 000	0.26	*6010-2RS1	*6010-RS1
		80	23		3.150	0.906	21.6	16	0.71	–	5 000	0.37	63010-2RS1	–
		90	20		3.543	0.787	37.1	23.2	0.98	15 000	8 000	0.46	*6210-2Z	*6210-Z
		90	20		3.543	0.787	37.1	23.2	0.98	15 000	8 000	0.46	*6210-2RZ	*6210-RZ
		90	20		3.543	0.787	37.1	23.2	0.98	–	4 800	0.46	*6210-2RS1	*6210-RS1
		90	23		3.543	0.906	35.1	23.2	0.98	–	4 800	0.52	62210-2RS1	–
		110	27		4.331	1.063	65	38	1.6	13 000	6 700	1.05	*6310-2Z	*6310-Z
		110	27		4.331	1.063	65	38	1.6	–	4 300	1.05	*6310-2RS1	*6310-RS1
		110	40		4.331	1.575	61.8	38	1.6	–	4 300	1.55	62310-2RS1	–

* SKF Explorer bearing

Sealed single row deep groove ball bearings

d 55 - 65 mm

d 2.165 - 2.559 in



Principal dimensions						Basic load ratings		Fatigue load limit P _u	Speed ratings		Mass kg	Designations		
d	D	B	d	D	B	dynamic C	static C ₀		Reference speed	Limiting speed		sealed both sides	sealed one side	
mm			in			kN		kN	r/min	kg		—		
55	72	9	2.165	2.835	0.354	9.04	8.8	0.375	19 000	9 500	0.083	61811-2RZ	—	
	72	9		2.835	0.354	9.04	8.8	0.375	—	5 300	0.083	61811-2RS1	—	
	80	13		3.150	0.512	16.5	14	0.6	17 000	8 500	0.19	61911-2RZ	—	
	80	13		3.150	0.512	16.5	14	0.6	—	5 000	0.19	61911-2RS1	—	
	90	18		3.543	0.709	29.6	21.2	0.9	16 000	8 000	0.39	*6011-2Z	*6011-Z	
	90	18		3.543	0.709	29.6	21.2	0.9	—	4 500	0.39	*6011-2RS1	*6011-RS1	
	100	21		3.937	0.827	46.2	29	1.25	14 000	7 000	0.61	*6211-2Z	*6211-Z	
	100	21		3.937	0.827	46.2	29	1.25	—	4 300	0.61	*6211-2RS1	*6211-RS1	
	100	25		3.937	0.984	43.6	29	1.25	—	4 300	0.7	62211-2RS1	—	
	120	29		4.724	1.142	74.1	45	1.9	12 000	6 300	1.35	*6311-2Z	*6311-Z	
	120	29		4.724	1.142	74.1	45	1.9	—	3 800	1.35	*6311-2RS1	*6311-RS1	
	120	43		4.724	1.693	71.5	45	1.9	—	3 800	1.95	62311-2RS1	—	
	60	78	10	2.362	3.071	0.394	11.9	11.4	0.49	17 000	8 500	0.11	61812-2RZ	—
		78	10		3.071	0.394	11.9	11.4	0.49	—	4 800	0.11	61812-2RS1	—
85		13	3.346		0.512	16.5	14.3	0.6	16 000	8 000	0.2	61912-2RZ	—	
85		13	3.346		0.512	16.5	14.3	0.6	—	4 500	0.2	61912-2RS1	—	
95		18		3.740	0.709	30.7	23.2	0.98	15 000	7 500	0.42	*6012-2Z	*6012-Z	
95		18		3.740	0.709	30.7	23.2	0.98	15 000	7 500	0.42	*6012-2RZ	*6012-RZ	
95		18		3.740	0.709	30.7	23.2	0.98	—	4 300	0.42	*6012-2RS1	*6012-RS1	
110		22		4.331	0.866	55.3	36	1.53	13 000	6 300	0.78	*6212-2Z	*6212-Z	
110		22		4.331	0.866	55.3	36	1.53	—	4 000	0.78	*6212-2RS1	*6212-RS1	
110		28		4.331	1.102	52.7	36	1.53	—	4 000	0.97	62212-2RS1	—	
130		31		5.118	1.220	85.2	52	2.2	11 000	5 600	1.7	*6312-2Z	*6312-Z	
130		31		5.118	1.220	85.2	52	2.2	—	3 400	1.7	*6312-2RS1	*6312-RS1	
130		46		5.118	1.811	81.9	52	2.2	—	3 400	2.5	62312-2RS1	—	
65		85	10	2.559	3.346	0.394	12.4	12.7	0.54	16 000	8 000	0.13	61813-2RZ	—
	85	10	3.346		0.394	12.4	12.7	0.54	—	4 500	0.13	61813-2RS1	—	
	90	13	3.543		0.512	17.4	16	0.68	15 000	7 500	0.22	61913-2RZ	—	
	90	13	3.543		0.512	17.4	16	0.68	—	4 300	0.22	61913-2RS1	—	
	100	18		3.937	0.709	31.9	25	1.06	14 000	7 000	0.44	*6013-2Z	*6013-Z	
	100	18		3.937	0.709	31.9	25	1.06	—	4 000	0.44	*6013-2RS1	*6013-RS1	
	120	23		4.724	0.906	58.5	40.5	1.73	12 000	6 000	0.99	*6213-2Z	*6213-Z	
	120	23		4.724	0.906	58.5	40.5	1.73	—	3 600	0.99	*6213-2RS1	*6213-RS1	
	120	31		4.724	1.220	55.9	40.5	1.73	—	3 600	1.25	62213-2RS1	—	
	140	33		5.512	1.299	97.5	60	2.5	10 000	5 300	2.1	*6313-2Z	*6313-Z	
	140	33		5.512	1.299	97.5	60	2.5	—	3 200	2.1	*6313-2RS1	*6313-RS1	
	140	48		5.512	1.890	92.3	60	2.5	—	3 200	3	62313-2RS1	—	

* SKF Explorer bearing

Sealed single row deep groove ball bearings

d 70 - 80 mm

d 2.756 - 3.150 in



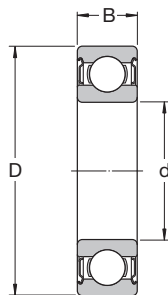
Principal dimensions						Basic load ratings		Fatigue load limit P _u	Speed ratings		Mass kg	Designations		
d	D	B	d	D	B	dynamic C	static C ₀		Reference speed	Limiting speed		sealed both sides	sealed one side	
mm			in			kN		kN	r/min		kg	–		
70	90	10	2.756	3.543	0.394	12.4	13.2	0.56	15 000	7 500	0.14	61814-2RZ	–	
	90	10		3.543	0.394	12.4	13.2	0.56	–	4 300	0.14	61814-2RS1	–	
	100	16		3.937	0.630	23.8	21.2	0.9	14 000	7 000	0.35	61914-2RZ	–	
	100	16		3.937	0.630	23.8	21.2	0.9	–	4 000	0.35	61914-2RS1	–	
	110	20		4.331	0.787	39.7	31	1.32	13 000	6 300	0.6	*6014-2Z	*6014-Z	
	110	20		4.331	0.787	39.7	31	1.32	–	3 600	0.6	*6014-2RS1	*6014-RS1	
	125	24		4.921	0.945	63.7	45	1.9	11 000	5 600	1.1	*6214-2Z	*6214-Z	
	125	24		4.921	0.945	63.7	45	1.9	–	3 400	1.1	*6214-2RS1	*6214-RS1	
	125	31		4.921	1.220	60.5	45	1.9	–	3 400	1.3	62214-2RS1	–	
	150	35		5.906	1.378	111	68	2.75	9 500	5 000	2.5	*6314-2Z	*6314-Z	
	150	35		5.906	1.378	111	68	2.75	–	3 000	2.5	*6314-2RS1	*6314-RS1	
	150	51		5.906	2.008	104	68	2.75	–	3 000	3.55	62314-2RS1	–	
	75	95	10	2.953	3.740	0.394	12.7	14.3	0.61	14 000	7 000	0.15	61815-2RZ	–
		95	10		3.740	0.394	12.7	14.3	0.61	–	4 000	0.15	61815-2RS1	–
105		16		4.134	0.630	24.2	19.3	0.965	13 000	6 300	0.37	61915-2RZ	–	
105		16		4.134	0.630	24.2	19.3	0.965	–	3 600	0.37	61915-2RS1	–	
115		20		4.528	0.787	41.6	33.5	1.43	12 000	6 000	0.64	*6015-2Z	*6015-Z	
115		20		4.528	0.787	41.6	33.5	1.43	12 000	6 000	0.64	*6015-2RZ	*6015-RZ	
115		20		4.528	0.787	41.6	33.5	1.43	–	3 400	0.64	*6015-2RS1	*6015-RS1	
130		25		5.118	0.984	68.9	49	2.04	10 000	5 300	1.2	*6215-2Z	*6215-Z	
130		25		5.118	0.984	68.9	49	2.04	–	3 200	1.2	*6215-2RS1	*6215-RS1	
160		37		6.299	1.457	119	76.5	3	9 000	4 500	3	*6315-2Z	*6315-Z	
160	37		6.299	1.457	119	76.5	3	–	2 800	3	*6315-2RS1	*6315-RS1		
80	100	10	3.150	3.937	0.394	13	15	0.64	13 000	6 300	0.15	61816-2RZ	–	
	100	10		3.937	0.394	13	15	0.64	–	3 600	0.15	61816-2RS1	–	
	110	16		4.331	0.630	25.1	20.4	1.02	12 000	6 000	0.4	61916-2RZ	–	
	110	16		4.331	0.630	25.1	20.4	1.02	–	3 400	0.4	61916-2RS1	–	
	125	22		4.921	0.866	49.4	40	1.66	11 000	5 600	0.85	*6016-2Z	*6016-Z	
	125	22		4.921	0.866	49.4	40	1.66	–	3 200	0.85	*6016-2RS1	*6016-RS1	
	140	26		5.512	1.024	72.8	55	2.2	9 500	4 800	1.4	*6216-2Z	*6216-Z	
	140	26		5.512	1.024	72.8	55	2.2	–	3 000	1.4	*6216-2RS1	*6216-RS1	
	170	39		6.693	1.535	130	86.5	3.25	8 500	4 300	3.6	*6316-2Z	*6316-Z	
	170	39		6.693	1.535	130	86.5	3.25	–	2 600	3.6	*6316-2RS1	*6316-RS1	

* SKF Explorer bearing

Sealed single row deep groove ball bearings

d 85 - 100 mm

d 3.346 - 3.937 in



Principal dimensions						Basic load ratings		Fatigue load limit P _u	Speed ratings		Mass kg	Designations		
d	D	B	d	D	B	dynamic C	static C ₀		Reference speed	Limiting speed		sealed both sides	sealed one side	
mm			in			kN		kN		r/min	kg		—	
85	110	13	3.346	4.331	0.512	19.5	20.8	0.88	12 000	6 000	0.27	61817-2RZ	—	
	110	13		4.331	0.512	19.5	20.8	0.88	—	3 400	0.27	61817-2RS1	—	
	130	22	5.118	0.866	52	43	1.76	11 000	5 300	0.89	*6017-2Z	*6017-Z		
	130	22	5.118	0.866	52	43	1.76	—	3 000	0.89	*6017-2RS1	*6017-RS1		
	150	28		5.906	1.102	87.1	64	2.5	9 000	4 500	1.8	*6217-2Z	*6217-Z	
	150	28		5.906	1.102	87.1	64	2.5	—	2 800	1.8	*6217-2RS1	*6217-RS1	
	180	41		7.087	1.614	140	96.5	3.55	8 000	4 000	4.25	*6317-2Z	*6317-Z	
	180	41		7.087	1.614	140	96.5	3.55	—	2 400	4.25	*6317-2RS1	*6317-RS1	
90	115	13	3.543	4.528	0.512	19.5	22	0.915	11 000	5 600	0.28	61818-2RZ	—	
	115	13		4.528	0.512	19.5	22	0.915	—	3 200	0.28	61818-2RS1	—	
	140	24	5.512	0.945	60.5	50	1.96	10 000	5 000	1.15	*6018-2Z	*6018-Z		
	140	24	5.512	0.945	60.5	50	1.96	—	2 800	1.15	*6018-2RS1	*6018-RS1		
	160	30		6.299	1.181	101	73.5	2.8	8 500	4 300	2.15	*6218-2Z	*6218-Z	
	160	30		6.299	1.181	101	73.5	2.8	—	2 600	2.15	*6218-2RS1	*6218-RS1	
	190	43		7.480	1.693	151	108	3.8	7 500	3 800	4.9	*6318-2Z	*6318-Z	
	190	43		7.480	1.693	151	108	3.8	—	2 400	4.9	*6318-2RS1	*6318-RS1	
95	120	13	3.740	4.724	0.512	19.9	22.8	0.93	11 000	5 300	0.3	61819-2RZ	—	
	120	13		4.724	0.512	19.9	22.8	0.93	—	3 000	0.3	61819-2RS1	—	
	130	18	5.118	0.709	33.8	33.5	1.43	—	3 000	0.61	61919-2RS1	—		
	145	24		5.709	0.945	63.7	54	2.08	9 500	4 800	1.2	*6019-2Z	*6019-Z	
	145	24		5.709	0.945	63.7	54	2.08	—	2 800	1.2	*6019-2RS1	*6019-RS1	
	170	32		6.693	1.260	114	81.5	3	8 000	4 000	2.6	*6219-2Z	*6219-Z	
	170	32		6.693	1.260	114	81.5	3	—	2 400	2.6	*6219-2RS1	*6219-RS1	
	200	45		7.874	1.772	159	118	4.15	7 000	3 600	5.65	*6319-2Z	*6319-Z	
200	45		7.874	1.772	159	118	4.15	—	2 200	5.65	*6319-2RS1	*6319-RS1		
100	125	13	3.937	4.921	0.512	19.9	24	0.95	10 000	5 300	0.31	61820-2RZ	—	
	125	13		4.921	0.512	19.9	24	0.95	—	3 000	0.31	61820-2RS1	—	
	150	24	5.906	0.945	63.7	54	2.04	9 500	4 500	1.25	*6020-2Z	*6020-Z		
	150	24	5.906	0.945	63.7	54	2.04	—	2 600	1.25	*6020-2RS1	*6020-RS1		
	180	34		7.087	1.339	127	93	3.35	7 500	3 800	3.15	*6220-2Z	*6220-Z	
	180	34		7.087	1.339	127	93	3.35	—	2 400	3.15	*6220-2RS1	*6220-RS1	
	215	47		8.465	1.850	174	140	4.75	6 700	3 400	7	6320-2Z	6320-Z	

* SKF Explorer bearing

Sealed single row deep groove ball bearings

d 105 - 160 mm

d 4.134 - 6.299 in



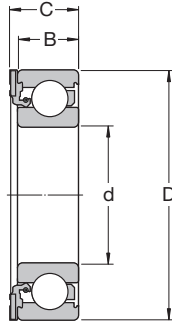
Principal dimensions						Basic load ratings		Fatigue load limit P _u	Speed ratings		Mass kg	Designations	
d	D	B	d	D	B	dynamic C	static C ₀		Reference speed	Limiting speed		sealed both sides	sealed one side
mm			in			kN		kN	r/min		kg	–	
105	130	13	4.134	5.118	0.512	20.8	19.6	1	10 000	5 000	0.32	61821-2RZ	–
	130	13		5.118	0.512	20.8	19.6	1	–	2 800	0.32	61821-2RS1	–
	160	26	6.299	1.024	76.1	65.5	2.4	8 500	4 300	1.6	*6021-2Z	*6021-Z	
	160	26	6.299	1.024	76.1	65.5	2.4	–	2 400	1.6	*6021-2RS1	*6021-RS1	
	190	36		7.480	1.417	140	104	3.65	7 000	3 600	3.7	*6221-2Z	*6221-Z
	190	36		7.480	1.417	140	104	3.65	–	2 200	3.7	*6221-2RS1	*6221-RS1
	225	49		8.858	1.929	182	153	5.1	6 300	3 200	8.25	6321-2Z	6321-Z
110	140	16	4.331	5.512	0.630	28.1	26	1.25	9 500	4 500	0.6	61822-2RZ	–
	140	16		5.512	0.630	28.1	26	1.25	–	2 600	0.6	61822-2RS1	–
	170	28	6.693	1.102	85.2	73.5	2.4	8 000	4 000	1.95	*6022-2Z	*6022-Z	
	170	28	6.693	1.102	85.2	73.5	2.4	–	2 400	1.95	*6022-2RS1	*6022-RS1	
	200	38		7.874	1.496	151	118	4	6 700	3 400	4.35	*6222-2Z	*6222-Z
	240	50		9.449	1.969	203	180	5.7	6 000	3 000	9.55	6322-2ZTN9	6322-ZTN9
120	150	16	4.724	5.906	0.630	29.1	28	1.29	8 500	4 300	0.65	61824-2RZ	–
	150	16		5.906	0.630	29.1	28	1.29	–	2 400	0.65	61824-2RS1	–
	180	28	7.087	1.102	88.4	80	2.75	7 500	3 800	2.05	*6024-2Z	*6024-Z	
	180	28	7.087	1.102	88.4	80	2.75	–	2 200	2.05	*6024-2RS1	*6024-RS1	
	215	40	8.465	1.575	146	118	3.9	6 300	3 200	5.15	6224-2Z	6224-Z	
130	165	18	5.118	6.496	0.709	37.7	43	1.6	8 000	3 800	0.93	61826-2RZ	–
	165	18		6.496	0.709	37.7	43	1.6	–	2 200	0.93	61826-2RS1	–
	200	33	7.874	1.299	112	100	3.35	7 000	3 400	3.15	*6026-2Z	*6026-Z	
	200	33	7.874	1.299	112	100	3.35	–	2 000	3.15	*6026-2RS1	*6026-RS1	
	230	40	9.055	1.575	156	132	4.15	5 600	3 000	5.8	6226-2Z	6226-Z	
140	175	18	5.512	6.890	0.709	39	46.5	1.66	7 500	3 600	0.99	61828-2RZ	–
	175	18		6.890	0.709	39	46.5	1.66	–	2 000	0.99	61828-2RS1	–
	210	33	8.268	1.299	111	108	3.45	6 700	3 200	3.35	6028-2Z	6028-Z	
	210	33	8.268	1.299	111	108	3.45	–	1 800	3.35	6028-2RS1	6028-RS1	
150	225	35	5.906	8.858	1.378	125	125	3.9	6 000	3 000	4.8	6030-2Z	6030-Z
	225	35		8.858	1.378	125	125	3.9	–	1 700	4.8	6030-2RS1	6030-RS1
160	240	38	6.299	9.449	1.496	143	143	4.3	5 600	2 800	5.9	6032-2Z	6032-Z
	240	38		9.449	1.496	143	143	4.3	–	1 600	5.9	6032-2RS1	6032-RS1

* SKF Explorer bearing

ICOS™ oil sealed bearing units

d 12 - 30 mm

d 0.472 - 1.181 in

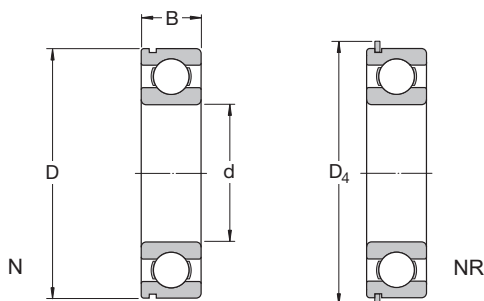


Principal dimensions								Basic load ratings		Fatigue load limit P_u	Limiting speed	Mass	Designation
d	D	B	C	d	D	B	C	dynamic	static				
mm				in				kN		kN	r/min	kg	—
12	32	10	12.6	0.472	1.260	0.394	0.496	7.28	3.1	0.132	14 000	0.041	* ICOS-D1B01-TN9
15	35	11	13.2	0.591	1.378	0.433	0.520	8.06	3.75	0.16	12 000	0.048	* ICOS-D1B02-TN9
17	40	12	14.2	0.669	1.575	0.472	0.559	9.95	4.75	0.2	11 000	0.071	* ICOS-D1B03-TN9
20	47	14	16.2	0.787	1.850	0.551	0.638	13.5	6.55	0.28	9 300	0.11	* ICOS-D1B04-TN9
25	52	15	17.2	0.984	2.047	0.591	0.677	14.8	7.8	0.335	7 700	0.14	* ICOS-D1B05-TN9
30	62	16	19.4	1.181	2.441	0.630	0.764	20.3	11.2	0.475	6 500	0.22	* ICOS-D1B06-TN9



Single row deep groove ball bearings with snap ring groove

d 10 - 55 mm
d 0.394 - 2.165 in



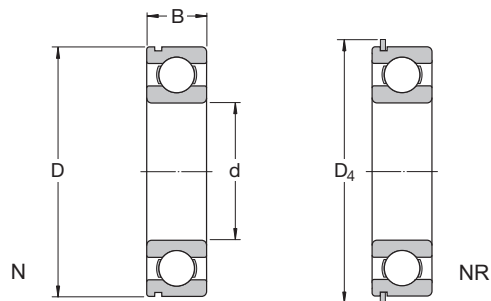
Principal dimensions				Basic load ratings		Fatigue load limit P_u	Speed ratings		Mass	Designations						
d	D	B	D_4	dynamic	static		Reference speed	Limiting speed		Bearing with snap ring groove	snap ring groove and snap ring	Snap ring				
mm			in	C	C_0	kN	kN	r/min	kg	–						
10	30	9	34.7	0.394	1.181	0.354	1.366	5.4	2.36	0.1	56 000	34 000	0.032	*6200 N	*6200 NR	SP 30
12	32	10	36.7	0.472	1.260	0.394	1.445	7.28	3.1	0.132	50 000	32 000	0.037	*6201 N	*6201 NR	SP 32
15	35	11	39.7	0.591	1.378	0.433	1.563	8.06	3.75	0.16	43 000	28 000	0.045	*6202 N	*6202 NR	SP 35
17	40	12	44.6	0.669	1.575	0.472	1.756	9.95	4.75	0.2	38 000	24 000	0.065	*6203 N	*6203 NR	SP 40
	47	14	52.7		1.850	0.551	2.075	14.3	6.55	0.275	34 000	22 000	0.12	*6303 N	*6303 NR	SP 47
20	42	12	46.3	0.787	1.654	0.472	1.823	9.5	5	0.212	38 000	24 000	0.069	*6004 N	*6004 NR	SP 42
	47	14	52.7		1.850	0.551	2.075	13.5	6.55	0.28	32 000	20 000	0.11	*6204 N	*6204 NR	SP 47
	52	15	57.9		2.047	0.591	2.280	16.8	7.8	0.335	30 000	19 000	0.14	*6304 N	*6304 NR	SP 52
25	47	12	52.7	0.984	1.850	0.472	2.075	11.9	6.55	0.275	32 000	20 000	0.08	*6005 N	*6005 NR	SP 47
	52	15	57.9		2.047	0.591	2.280	14.8	7.8	0.335	28 000	18 000	0.13	*6205 N	*6205 NR	SP 52
	62	17	67.7		2.441	0.669	2.665	23.4	11.6	0.49	24 000	16 000	0.23	*6305 N	*6305 NR	SP 62
30	55	13	60.7	1.181	2.165	0.512	2.390	13.8	8.3	0.355	28 000	17 000	0.12	*6006 N	*6006 NR	SP 55
	62	16	67.7		2.441	0.630	2.665	20.3	11.2	0.475	24 000	15 000	0.2	*6206 N	*6206 NR	SP 62
	72	19	78.6		2.835	0.748	3.094	29.6	16	0.67	20 000	13 000	0.35	*6306 N	*6306 NR	SP 72
35	62	14	67.7	1.378	2.441	0.551	2.665	16.8	10.2	0.44	24 000	15 000	0.16	*6007 N	*6007 NR	SP 62
	72	17	78.6		2.835	0.669	3.094	27	15.3	0.655	20 000	13 000	0.29	*6207 N	*6207 NR	SP 72
80	21	86.6			3.150	0.827	3.409	35.1	19	0.815	19 000	12 000	0.46	*6307 N	*6307 NR	SP 80
	100	25	106.5		3.937	0.984	4.193	55.3	31	1.29	16 000	10 000	0.95	6407 N	6407 NR	SP 100
40	68	15	74.6	1.575	2.677	0.591	2.937	17.8	11.6	0.49	22 000	14 000	0.19	*6008 N	*6008 NR	SP 68
	80	18	86.6		3.150	0.709	3.409	32.5	19	0.8	18 000	11 000	0.37	*6208 N	*6208 NR	SP 80
	90	23	96.5			3.543	0.906	3.799	42.3	24	1.02	17 000	11 000	0.63	*6308 N	*6308 NR
110	27	116.6			4.331	1.063	4.591	63.7	36.5	1.53	14 000	9 000	1.25	6408 N	6408 NR	SP 110
45	75	16	81.6	1.772	2.953	0.630	3.213	22.1	14.6	0.64	20 000	12 000	0.25	*6009 N	*6009 NR	SP 75
	85	19	91.6		3.346	0.748	3.606	35.1	21.6	0.915	17 000	11 000	0.41	*6209 N	*6209 NR	SP 85
100	25	106.5			3.937	0.984	4.193	55.3	31.5	1.34	15 000	9 500	0.83	*6309 N	*6309 NR	SP 100
	120	29	129.7		4.724	1.142	5.106	76.1	45	1.9	13 000	8 500	1.55	6409 N	6409 NR	SP 120
50	80	16	86.6	1.969	3.150	0.630	3.409	22.9	16	0.71	18 000	11 000	0.26	*6010 N	*6010 NR	SP 80
	90	20	96.5		3.543	0.787	3.799	37.1	23.2	0.98	15 000	10 000	0.46	*6210 N	*6210 NR	SP 90
	110	27	116.6			4.331	1.063	4.591	65	38	1.6	13 000	8 500	1.05	*6310 N	*6310 NR
130	31	139.7			5.118	1.220	5.500	87.1	52	2.2	12 000	7 500	1.9	6410 N	6410 NR	SP 130
55	90	18	96.5	2.165	3.543	0.709	3.799	29.6	21.2	0.9	16 000	10 000	0.39	*6011 N	*6011 NR	SP 90
	100	21	106.5		3.937	0.827	4.193	46.2	29	1.25	14 000	9 000	0.61	*6211 N	*6211 NR	SP 100
120	29	129.7			4.724	1.142	5.106	74.1	45	1.9	12 000	8 000	1.35	*6311 N	*6311 NR	SP 120
	140	33	149.7		5.512	1.299	5.894	99.5	62	2.6	11 000	7 000	2.3	6411 N	6411 NR	SP 140

* SKF Explorer bearing
1) For snap ring dimensions see page 29

Single row deep groove ball bearings with snap ring groove

d 60 - 120 mm

d 2.362 - 4.724 in



Principal dimensions				Basic load ratings		Fatigue load limit P_u	Speed ratings		Mass	Designations						
d	D	B	D_4	dynamic	static		Reference speed	Limiting speed		Bearing with snap ring groove	snap ring groove and snap ring	Snap ring				
mm			in	kN		kN	r/min	kg	-							
60	95	18	101.6	2.362	3.740	0.709	4.000	30.7	23.2	0.98	15 000	9 500	0.42	*6012 N	*6012 NR	SP 95
	110	22	116.6		4.331	0.866	4.591	55.3	36	1.53	13 000	8 000	0.78	*6212 N	*6212 NR	SP 110
	130	31	139.7		5.118	1.220	5.500	85.2	52	2.2	11 000	7 000	1.7	*6312 N	*6312 NR	SP 130
	150	35	159.7		5.906	1.378	6.287	108	69.5	2.9	10 000	6 300	2.75	*6412 N	*6412 NR	SP 150
65	100	18	106.5	2.559	3.937	0.709	4.193	31.9	25	1.06	14 000	9 000	0.44	*6013 N	*6013 NR	SP 100
	120	23	129.7		4.724	0.906	5.106	58.5	40.5	1.73	12 000	7 500	0.99	*6213 N	*6213 NR	SP 120
	140	33	149.7		5.512	1.299	5.894	97.5	60	2.5	10 000	6 700	2.1	*6313 N	*6313 NR	SP 140
	160	37	169.7		6.299	1.457	6.681	119	78	3.15	9 500	6 000	3.3	*6413 N	*6413 NR	SP 160
70	110	20	116.6	2.756	4.331	0.787	4.591	39.7	31	1.32	13 000	8 000	0.6	*6014 N	*6014 NR	SP 110
	125	24	134.7		4.921	0.945	5.303	63.7	45	1.9	11 000	7 000	1.05	*6214 N	*6214 NR	SP 125
	150	35	159.7		5.906	1.378	6.287	111	68	2.75	9 500	6 300	2.5	*6314 N	*6314 NR	SP 150
75	115	20	121.6	2.953	4.528	0.787	4.787	41.6	33.5	1.43	12 000	7 500	0.64	*6015 N	*6015 NR	SP 115
	130	25	139.7		5.118	0.984	5.500	68.9	49	2.04	10 000	6 700	1.2	*6215 N	*6215 NR	SP 130
	160	37	169.7		6.299	1.457	6.681	119	76.5	3	9 000	5 600	3	*6315 N	*6315 NR	SP 160
80	125	22	134.7	3.150	4.921	0.866	5.303	49.4	40	1.66	11 000	7 000	0.85	*6016 N	*6016 NR	SP 125
	140	26	149.7		5.512	1.024	5.894	72.8	55	2.2	9 500	6 000	1.4	*6216 N	*6216 NR	SP 140
85	130	22	139.7	3.346	5.118	0.866	5.500	52	43	1.76	11 000	6 700	0.89	*6017 N	*6017 NR	SP 130
	150	28	159.7		5.906	1.102	6.287	87.1	64	2.5	9 000	5 600	1.8	*6217 N	*6217 NR	SP 150
90	140	24	149.7	3.543	5.512	0.945	5.894	60.5	50	1.96	10 000	6 300	1.15	*6018 N	*6018 NR	SP 140
	160	30	169.7		6.299	1.181	6.681	101	73.5	2.8	8 500	5 300	2.15	*6218 N	*6218 NR	SP 160
95	170	32	182.9	3.740	6.693	1.260	7.201	114	81.5	3	8 000	5 000	2.6	*6219 N	*6219 NR	SP 170
100	150	24	159.7	3.937	5.906	0.945	6.287	63.7	54	2.04	9 500	5 600	1.25	*6020 N	*6020 NR	SP 150
	180	34	192.9		7.087	1.339	7.594	127	93	3.35	7 500	4 800	3.15	*6220 N	*6220 NR	SP 180
105	160	26	169.7	4.134	6.299	1.024	6.681	76.1	65.5	2.4	8 500	5 300	1.6	*6021 N	*6021 NR	SP 160
110	170	28	182.9	4.331	6.693	1.102	7.201	85.2	73.5	2.6	8 000	5 000	1.95	*6022 N	*6022 NR	SP 170
120	180	28	192.9	4.724	7.087	1.102	7.594	88.4	80	2.75	7 500	4 800	2.05	*6024 N	*6024 NR	SP 180

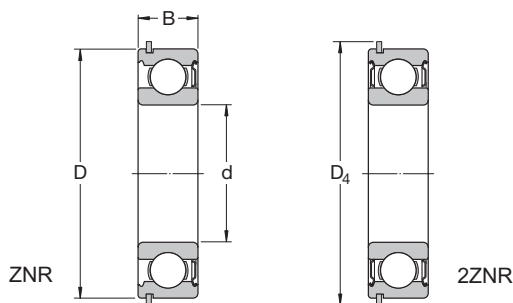
* SKF Explorer bearing

1) For snap ring dimensions see page 29



Single row deep groove ball bearings with snap ring groove and shields

d 10 - 70 mm
d 0.394 - 2.756 in



Principal dimensions								Basic load ratings		Fatigue load limit P _u	Speed ratings		Mass	Designations			
d	D	B	D ₄	d	D	B	D ₄	dynamic	static		Reference speed	Limiting ¹⁾ speed		Bearing with one shield and snap	two shields and snap	Snap ²⁾ ring	
mm				in				kN		kN	r/min	kg	-				
10	30	9	34.7	0.394	1.181	0.354	1.366	5.4	2.36	0.1	56 000	34 000	0.032	*6200-ZNR	*6200-2ZNR	SP 30	
12	32	10	36.7	0.472	1.260	0.394	1.445	7.28	3.1	0.132	50 000	32 000	0.037	*6201-ZNR	*6201-2ZNR	SP 32	
15	35	11	39.7	0.591	1.378	0.433	1.563	8.06	3.75	0.16	43 000	28 000	0.045	*6202-ZNR	*6202-2ZNR	SP 35	
17	40	12	44.6	0.669	1.575	0.472	1.756	9.95	4.75	0.2	38 000	24 000	0.065	*6203-ZNR	*6203-2ZNR	SP 40	
	47		14		52.7	1.850	0.551	2.075	14.3	6.55	0.275	34 000	22 000	0.12	*6303-ZNR	*6303-2ZNR	SP 47
20	42	12	46.3	0.787	1.654	0.472	1.823	9.95	5	0.212	38 000	24 000	0.069	*6004-ZNR	*6004-2ZNR	SP 42	
	47		14		52.7	1.850	0.551	2.075	13.5	6.55	0.28	32 000	20 000	0.11	*6204-ZNR	*6204-2ZNR	SP 47
	52		15		57.9	2.047	0.591	2.280	16.8	7.8	0.335	30 000	19 000	0.14	*6304-ZNR	*6304-2ZNR	SP 52
25	47	12	52.7	0.984	1.850	0.472	2.075	11.9	6.55	0.275	32 000	20 000	0.08	*6005-ZNR	*6005-2ZNR	SP 47	
	52		15		57.9	2.047	0.591	2.280	14.8	7.8	0.335	28 000	18 000	0.13	*6205-ZNR	*6205-2ZNR	SP 52
	62		17		67.7	2.441	0.669	2.665	23.4	11.6	0.49	24 000	16 000	0.23	*6305-ZNR	*6305-2ZNR	SP 62
30	62	16	67.7	1.181	2.441	0.630	2.665	20.3	11.2	0.475	24 000	15 000	0.2	*6206-ZNR	*6206-2ZNR	SP 62	
	72		19		78.6	2.835	0.748	3.094	29.6	16	0.67	20 000	13 000	0.35	*6306-ZNR	*6306-2ZNR	SP 72
35	72	17	78.6	1.378	2.835	0.669	3.094	27	15.3	0.655	20 000	13 000	0.29	*6207-ZNR	*6207-2ZNR	SP 72	
	80		21		86.6	3.150	0.827	3.409	35.1	19	0.815	19 000	12 000	0.46	*6307-ZNR	*6307-2ZNR	SP 80
40	80	18	86.6	1.575	3.150	0.709	3.409	32.5	19	0.8	18 000	11 000	0.37	*6208-ZNR	*6208-2ZNR	SP 80	
	90		23		96.5	3.543	0.906	3.799	42.3	24	1.02	17 000	11 000	0.63	*6308-ZNR	*6308-2ZNR	SP 90
45	85	19	91.6	1.772	3.346	0.748	3.606	35.1	21.6	0.915	17 000	11 000	0.41	*6209-ZNR	*6209-2ZNR	SP 85	
	100		25		106.5	3.937	0.984	4.193	55.3	31.5	1.34	15 000	9 500	0.83	*6309-ZNR	*6309-2ZNR	SP 100
50	90	20	96.5	1.969	3.543	0.787	3.799	37.1	23.2	0.98	15 000	10 000	0.46	*6210-ZNR	*6210-2ZNR	SP 90	
	110		27		116.6	4.331	1.063	4.591	65	38	1.6	13 000	8 500	1.05	*6310-ZNR	*6310-2ZNR	SP 110
55	100	21	106.5	2.165	3.937	0.827	4.193	46.2	29	1.25	14 000	9 000	0.61	*6211-ZNR	*6211-2ZNR	SP 100	
	120		29		129.7	4.724	1.142	5.106	74.1	45	1.9	12 000	8 000	1.35	*6311-ZNR	*6311-2ZNR	SP 120
60	110	22	116.6	2.362	4.331	0.866	4.591	55.3	36	1.53	13 000	8 000	0.78	*6212-ZNR	*6212-2ZNR	SP 110	
	130		31		139.7	5.118	1.220	5.500	85.2	52	2.2	11 000	7 000	1.7	*6312-ZNR	*6312-2ZNR	SP 130
65	120	23	129.7	2.559	4.724	0.906	5.106	58.5	40.5	1.73	12 000	7 500	0.99	*6213-ZNR	*6213-2ZNR	SP 120	
	140		33		149.7	5.512	1.299	5.894	97.5	60	2.5	10 000	6 700	2.1	*6313-ZNR	*6313-2ZNR	SP 140
70	125	24	134.7	2.756	4.921	0.945	5.303	63.7	45	1.9	11 000	7 000	1.05	*6214-ZNR	*6214-2ZNR	SP 125	
	150		35		159.7	5.906	1.378	6.287	111	68	2.75	9 500	6 300	2.5	*6314-ZNR	*6314-2ZNR	SP 150

* SKF Explorer bearing

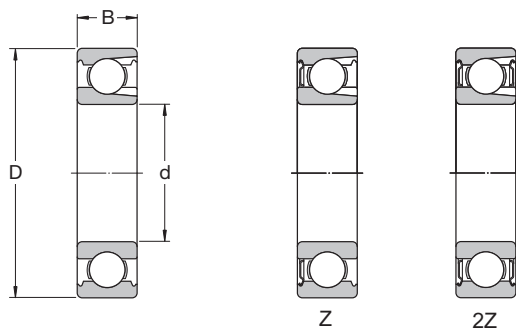
¹⁾ For 2Z design, limiting speeds are about 80% of the quoted value

²⁾ For snap ring dimensions see page 31

Single row deep groove ball bearings with filling slots

d 25 - 100 mm

d 0.984 - 3.937 in

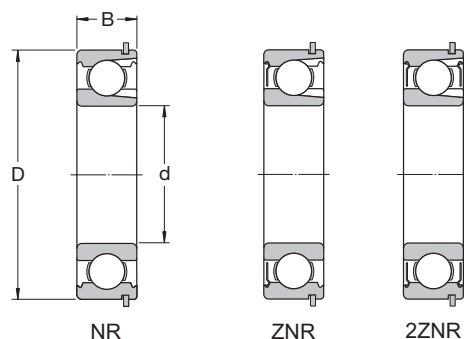


Principal dimensions						Basic load ratings		Fatigue load limit P _u	Speed ratings		Mass	Designations		
d	D	B	d	D	B	dynamic	static		Ref. speed	Limiting speed		Bearing open	with shields on	
			in			kN		kN	r/min	kg	-			
25	62	17	0.984	2.441	0.669	22.9	15.6	0.67	20 000	13 000	0.24	305	305-Z	305-2Z
30	62	16	1.181	2.441	0.630	22.9	17.3	0.735	20 000	12 000	0.21	206	206-Z	206-2Z
	72	19		2.835	0.748	29.2	20.8	0.88	18 000	11 000	0.37	306	306-Z	306-2Z
35	72	17	1.378	2.835	0.669	29.7	22.8	0.965	17 000	11 000	0.31	207	207-Z	207-2Z
	80	21		3.150	0.827	39.1	28.5	1.2	16 000	10 000	0.48	307	307-Z	307-2Z
40	80	18	1.575	3.150	0.709	33.6	26.5	1.12	15 000	9 500	0.39	208	208-Z	208-2Z
	90	23		3.543	0.906	46.8	36	1.53	14 000	9 000	0.64	308	308-Z	308-2Z
45	85	19	1.772	3.346	0.748	39.6	32.5	1.37	14 000	9 000	0.44	209	209-Z	209-2Z
	100	25		3.937	0.984	59.4	46.5	1.96	13 000	8 000	0.88	309	309-Z	309-2Z
50	90	20	1.969	3.543	0.787	39.1	34.5	1.46	13 000	8 000	0.5	210	210-Z	210-2Z
	110	27		4.331	1.063	64.4	52	2.2	11 000	7 000	1.15	310	310-Z	310-2Z
55	100	21	2.165	3.937	0.827	48.4	44	1.86	12 000	7 500	0.66	211	211-Z	211-2Z
	120	29		4.724	1.142	79.2	67	2.85	10 000	6 700	1.5	311	311-Z	311-2Z
60	110	22	2.362	4.331	0.866	56.1	50	2.12	11 000	6 700	0.85	212	212-Z	212-2Z
	130	31		5.118	1.220	91.3	78	3.35	9 500	6 000	1.85	312	312-Z	312-2Z
65	120	23	2.559	4.724	0.906	60.5	58.5	2.5	10 000	6 000	1.05	213	213-Z	213-2Z
	140	33		5.512	1.299	102	90	3.75	9 000	5 600	2.3	313	313-Z	313-2Z
70	125	24	2.756	4.921	0.945	66	65.5	2.75	9 500	6 000	1.15	214	214-Z	214-2Z
	150	35		5.906	1.378	114	102	4.15	8 000	5 000	2.75	314	314-Z	314-2Z
75	130	25	2.953	5.118	0.984	72.1	72	3	9 000	5 600	1.25	215	215-Z	215-2Z
	160	37		6.299	1.457	125	116	4.55	7 500	4 800	3.25	315	315-Z	315-2Z
80	140	26	3.150	5.512	1.024	88	85	3.45	8 500	5 300	1.55	216	216-Z	216-2Z
	170	39		6.693	1.535	138	129	4.9	7 000	4 500	3.95	316	316-Z	316-2Z
85	150	28	3.346	5.906	1.102	96.8	100	3.9	7 500	4 800	1.95	217	217-Z	217-2Z
	180	41		7.087	1.614	147	146	5.3	6 700	4 300	4.6	317	317-Z	317-2Z
90	160	30	3.543	6.299	1.181	112	114	4.3	7 000	4 500	2.35	218	218-Z	218-2Z
	190	43		7.480	1.693	157	160	5.7	6 300	4 000	5.4	318	318-Z	318-2Z
95	170	32	3.740	6.693	1.260	121	122	4.5	6 700	4 300	2.7	219	219-Z	219-2Z
100	180	34	3.937	7.087	1.339	134	140	5	6 300	4 000	3.45	220	220-Z	220-2Z



Single row deep groove ball bearings with filling slots and snap ring

d 25 - 95 mm
d 0.984 - 3.740 in



Principal dimensions						Basic load ratings		Fatigue load limit P_u	Speed ratings		Mass kg	Designations			Snap ²⁾ ring
d	D	B	d	D	B	dynamic C	static C_0		Reference speed	Limiting ¹⁾ speed		Bearing open	with shields on one side two sides		
mm			in			kN		kN	r/min		–				
25	62	17	0.984	2.441	0.669	23	16	1	20 000	13 000	0.24	305 NR	305-ZNR	305-2ZNR	SP 62
30	62	16	1.181	2.441	0.630	22.9	17.3	0.735	20 000	12 000	0.21	206 NR	206-ZNR	206-2ZNR	SP 62
	72	19		2.835	0.748	29.2	20.8	0.88	18 000	11 000	0.37	306 NR	306-ZNR	306-2ZNR	SP 72
35	72	17	1.378	2.835	0.669	29.7	22.8	0.965	17 000	11 000	0.31	207 NR	207-ZNR	207-2ZNR	SP 72
	80	21		3.150	0.827	39.1	28.5	1.2	16 000	10 000	0.48	307 NR	307-ZNR	307-2ZNR	SP 80
40	80	18	1.575	3.150	0.709	33.6	26.5	1.12	15 000	9 500	0.39	208 NR	208-ZNR	208-2ZNR	SP 80
	90	23		3.543	0.906	46.8	36	1.53	14 000	9 000	0.64	308 NR	308-ZNR	308-2ZNR	SP 90
45	85	19	1.772	3.346	0.748	39.6	32.5	1.37	14 000	9 000	0.44	209 NR	209-ZNR	209-2ZNR	SP 85
	100	25		3.937	0.984	59.4	46.5	1.96	13 000	8 000	0.88	309 NR	309-ZNR	309-2ZNR	SP 100
50	90	20	1.969	3.543	0.787	39.1	34.5	1.46	13 000	8 000	0.5	210 NR	210-ZNR	210-2ZNR	SP 90
	110	27		4.331	1.063	64.4	52	2.2	11 000	7 000	1.15	310 NR	310-ZNR	310-2ZNR	SP 110
55	100	21	2.165	3.937	0.827	48.4	44	1.86	12 000	7 500	0.66	211 NR	211-ZNR	211-2ZNR	SP 100
	120	29		4.724	1.142	79.2	67	2.85	10 000	6 700	1.5	311 NR	311-ZNR	311-2ZNR	SP 120
60	110	22	2.362	4.331	0.866	56.1	50	2.12	11 000	6 700	0.85	212 NR	212-ZNR	212-2ZNR	SP 110
	130	31		5.118	1.220	91.3	78	3.35	9 500	6 000	1.85	312 NR	312-ZNR	312-2ZNR	SP 130
65	120	23	2.559	4.724	0.906	60.5	58.5	2.5	10 000	6 000	1.05	213 NR	213-ZNR	213-2ZNR	SP 120
	140	33		5.512	1.299	102	90	3.75	9 000	5 600	2.3	313 NR	313-ZNR	313-2ZNR	SP 140
70	125	24	2.756	4.921	0.945	66	65.5	2.75	9 500	6 000	1.15	214 NR	214-ZNR	214-2ZNR	SP 125
	150	35		5.906	1.378	114	102	4.15	8 000	5 000	2.75	314 NR	314-ZNR	314-2ZNR	SP 150
75	130	25	2.953	5.118	0.984	72.1	72	3	9 000	5 600	1.25	215 NR	215-ZNR	215-2ZNR	SP 130
80	140	26	3.150	5.512	1.024	88	85	3.45	8 500	5 300	1.55	216 NR	216-ZNR	216-2ZNR	SP 140
85	150	28	3.346	5.906	1.102	96.8	100	3.9	7 500	4 800	1.95	217 NR	–	–	SP 150
90	160	30	3.543	6.299	1.181	112	114	4	7 000	4 500	2.35	218 NR	–	–	SP 160
95	170	32	3.740	6.693	1.260	121	122	5	6 700	4 300	2.7	219 NR	–	–	SP 170

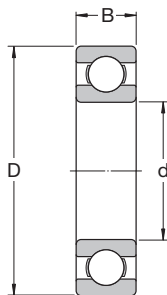
¹⁾ For 2Z design, limiting speeds are about 80% of the quoted value

²⁾ For snap ring dimensions see page 31

Stainless steel deep groove ball bearings

d 1 - 12 mm

d 0.039 - 0.472 in



Principal dimensions						Basic load ratings		Fatigue load limit P_u	Speed ratings		Mass kg	Designation		
d	D	B	d	D	B	dynamic C	static C_0		Reference speed	Limiting speed				
mm			in			kN		r/min						
1	3	1	0.039	0.118	0.039	0.056	0.017	0.00075	240 000	150 000	0.000036	W 618/1		
2	5	1.5	0.079	0.197	0.059	0.133	0.045	0.002	85 000	100 000	0.00015	W 618/2		
3	6	3	0.118	0.236	0.118	0.178	0.057	0.0025	170 000	110 000	0.00035	W 637/3		
	10	4		0.394	0.157	0.39	0.129		0.0056	130 000		80 000	0.0016	W 623
4	9	2.5	0.157	0.354	0.098	0.449	0.173	0.0075	140 000	85 000	0.0007	W 618/4		
	11	4		0.433	0.157	0.605	0.224		0.0098	130 000		80 000	0.0019	W 619/4
	12	4		0.472	0.157	0.676	0.27		0.012	120 000		75 000	0.0024	W 604
	13	5		0.512	0.197	0.793	0.28		0.012	110 000		67 000	0.0031	W 624
5	11	3	0.197	0.433	0.118	0.54	0.245	0.011	120 000	75 000	0.0012	W 618/5		
	13	4		0.512	0.157	0.741	0.325		0.014	110 000		67 000	0.0023	W 619/5
	16	5		0.630	0.197	0.923	0.365		0.016	95 000		60 000	0.005	W 625
6	13	3.5	0.236	0.512	0.138	0.741	0.335	0.015	110 000	67 000	0.002	W 618/6		
	15	5		0.591	0.197	1.04	0.455		0.02	100 000		63 000	0.0039	W 619/6
	19	6		0.748	0.236	1.86	0.915		0.04	80 000		50 000	0.0084	W 626
7	17	5	0.276	0.669	0.197	1.24	0.54	0.024	90 000	56 000	0.0049	W 619/7		
	19	6		0.748	0.236	1.86	0.915		0.04	85 000		53 000	0.0075	W 607
	22	7		0.866	0.276	2.76	1.32		0.057	70 000		45 000	0.013	W 627
8	16	4	0.315	0.630	0.157	1.12	0.55	0.024	90 000	56 000	0.003	W 618/8		
	19	6		0.748	0.236	1.59	0.71		0.031	80 000		50 000	0.0071	W 619/8
	22	7		0.866	0.276	2.76	1.32		0.057	75 000		48 000	0.012	W 608
9	17	4	0.354	0.669	0.157	1.19	0.62	0.027	85 000	53 000	0.0034	W 618/9		
	20	6		0.787	0.236	1.74	0.83		0.036	80 000		48 000	0.0076	W 619/9
	24	7		0.945	0.276	3.12	1.6		0.071	70 000		43 000	0.014	W 609
	26	8		1.024	0.315	3.9	1.9		0.083	60 000		38 000	0.02	W 629
10	15	3	0.394	0.591	0.118	0.715	0.425	0.018	85 000	56 000	0.0014	W 61700		
	19	5		0.748	0.197	1.14	0.57		0.025	80 000		48 000	0.0055	W 61800
	22	6		0.866	0.236	1.74	0.815		0.036	75 000		45 000	0.01	W 61900
	26	8		1.024	0.315	3.9	1.9		0.083	67 000		40 000	0.019	W 6000
	30	9		1.181	0.354	4.23	2.28		0.1	56 000		34 000	0.032	W 6200
	35	11		1.378	0.433	6.76	3.25		0.143	50 000		32 000	0.053	W 6300
12	21	5	0.472	0.827	0.197	1.21	0.64	0.028	70 000	43 000	0.0063	W 61801		
	24	6		0.945	0.236	1.9	0.95		0.043	67 000		40 000	0.011	W 61901
	28	8		1.102	0.315	4.23	2.28		0.1	60 000		38 000	0.022	W 6001
	32	10		1.260	0.394	5.85	3		0.132	50 000		32 000	0.037	W 6201
	37	12		1.457	0.472	8.19	4.05		0.176	45 000		28 000	0.06	W 6301

Stainless steel deep groove ball bearings

d 15 - 50 mm

d 0.591 - 1.969 in

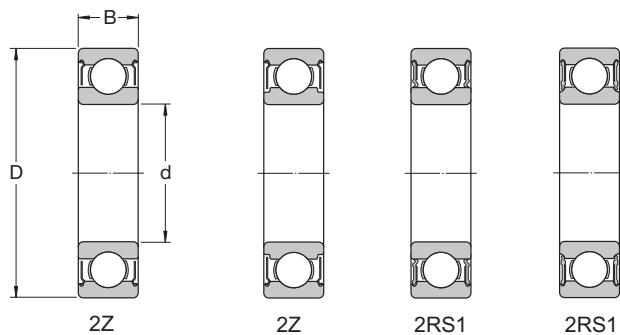


Principal dimensions						Basic load ratings		Fatigue load limit P_u	Speed ratings		Mass kg	Designation
d	D	B	d	D	B	dynamic C	static C_0		Reference speed	Limiting speed		
			in				kN		kN	r/min		–
15	24	5	0.591	0.945	0.197	1.3	0.78	0.034	60 000	38 000	0.0074	W 61802
	28	7		1.102	0.276	3.64	2.16	0.095	56 000	34 000	0.016	W 61902
	32	9		1.260	0.354	4.68	2.75	0.12	50 000	32 000	0.03	W 6002
	35	11		1.378	0.433	6.5	3.65	0.16	43 000	28 000	0.045	W 6202
	42	13		1.654	0.512	9.56	5.2	0.228	38 000	24 000	0.085	W 6302
17	30	7	0.669	1.181	0.276	3.9	2.45	0.108	56 000	28 000	0.018	W 61903
	35	10		1.378	0.394	5.07	3.15	0.137	45 000	28 000	0.039	W 6003
	40	12		1.575	0.472	8.06	4.65	0.2	38 000	24 000	0.065	W 6203
	47	14		1.850	0.551	11.4	6.3	0.275	34 000	22 000	0.12	W 6303
20	32	7	0.787	1.260	0.276	3.38	2.24	0.104	45 000	28 000	0.018	W 61804
	42	12		1.654	0.472	7.93	4.9	0.212	38 000	24 000	0.069	W 6004
	47	14		1.850	0.551	10.8	6.4	0.28	32 000	20 000	0.11	W 6204
	52	15		2.047	0.591	13.5	7.65	0.335	30 000	19 000	0.14	W 6304
25	47	12	0.984	1.850	0.472	8.52	5.7	0.25	32 000	20 000	0.08	W 6005
	52	15		2.047	0.591	11.9	7.65	0.335	28 000	18 000	0.13	W 6205
	62	17		2.441	0.669	17.2	10.8	0.475	24 000	16 000	0.23	W 6305
30	55	13	1.181	2.165	0.512	11.1	8	0.355	28 000	17 000	0.12	W 6006
	62	16		2.441	0.630	16.3	10.8	0.475	24 000	15 000	0.2	W 6206
	72	19		2.835	0.748	22.5	14.6	0.64	20 000	13 000	0.35	W 6306
35	62	14	1.378	2.441	0.551	13.5	10	0.44	24 000	15 000	0.16	W 6007
	72	17		2.835	0.669	21.6	14.6	0.655	20 000	13 000	0.29	W 6207
40	68	15	1.575	2.677	0.591	14	10.8	0.49	22 000	14 000	0.19	W 6008
	80	18		3.150	0.709	24.7	17.3	0.75	18 000	11 000	0.37	W 6208
45	75	16	1.772	2.953	0.630	17.8	14.6	0.64	20 000	12 000	0.25	W 6009
	85	19		3.346	0.748	27.6	19.6	0.865	17 000	11 000	0.41	W 6209
50	80	16	1.969	3.150	0.630	18.2	16	0.71	18 000	11 000	0.26	W 6010
	90	20		3.543	0.787	29.6	22.4	0.98	15 000	10 000	0.46	W 6210

Sealed stainless steel deep groove ball bearings

d 1.5 - 7 mm

d 0.059 - 0.276 in



Principal dimensions						Basic load ratings		Fatigue load limit P_u	Speed ratings		Mass kg	Designation
d	D	B	d	D	B	dynamic C	static C_0		Reference speed	Limiting speed		
			in			kN		kN	r/min			–
1.5	4	2	0.059	0.157	0.079	0.114	0.034	0.0015	220 000	110 000	0.00014	W 638/1.5-2Z
2	5	2.3	0.079	0.197	0.091	0.156	0.048	0.002	190 000	95 000	0.00018	W 638/2-2Z
	6	3		0.236	0.118	0.238	0.075	0.0034	180 000	90 000	0.00035	W 639/2-2Z
3	6	3	0.118	0.236	0.118	0.176	0.057	0.0025	170 000	85 000	0.00035	W 637/3-2Z
	7	3		0.276	0.118	0.216	0.085	0.0036	160 000	80 000	0.00045	W 638/3-2Z
	8	3		0.315	0.118	0.39	0.129	0.0056	150 000	75 000	0.00067	W 619/3-2Z
	8	4		0.315	0.157	0.39	0.129	0.0056	150 000	75 000	0.0008	W 639/3-2Z
	10	4		0.394	0.157	0.39	0.129	0.0056	130 000	63 000	0.0015	W 623-2Z
4	9	3.5	0.157	0.354	0.138	0.449	0.173	0.0075	140 000	70 000	0.001	W 628/4-2Z
	9	4		0.354	0.157	0.449	0.173	0.0075	140 000	70 000	0.001	W 638/4-2Z
	11	4		0.433	0.157	0.605	0.224	0.0098	130 000	63 000	0.0017	W 619/4-2Z
	12	4		0.472	0.157	0.676	0.27	0.012	120 000	60 000	0.0023	W 604-2Z
	13	5		0.512	0.197	0.793	0.28	0.012	110 000	53 000	0.0031	W 624-2Z
	13	5		0.512	0.197	0.793	0.28	0.012	–	32 000	0.0031	W 624-2RS1
5	8	2.5	0.197	0.315	0.098	0.14	0.057	0.0025	140 000	70 000	0.00034	W 627/5-2Z
	11	4		0.433	0.157	0.54	0.245	0.011	120 000	60 000	0.00062	W 628/5-2Z
	11	5		0.433	0.197	0.54	0.245	0.011	120 000	60 000	0.0019	W 638/5-2Z
	13	4		0.512	0.157	0.741	0.325	0.014	110 000	53 000	0.0025	W 619/5-2Z
	16	5		0.630	0.197	0.923	0.365	0.016	95 000	48 000	0.005	W 625-2Z
	16	5		0.630	0.197	0.923	0.365	0.016	–	28 000	0.005	W 625-2RS1
6	19	6	0.236	0.748	0.236	1.86	0.915	0.04	80 000	40 000	0.009	W 635-2Z
	10	3		0.394	0.118	0.319	0.137	0.0061	120 000	60 000	0.0007	W 627/6-2Z
	13	5		0.512	0.197	0.741	0.335	0.015	110 000	53 000	0.0027	W 628/6-2Z
	15	5		0.591	0.197	1.04	0.455	0.02	100 000	50 000	0.0037	W 619/6-2Z
	19	6		0.748	0.236	1.86	0.915	0.04	80 000	40 000	0.0087	W 626-2Z
	19	6		0.748	0.236	1.86	0.915	0.04	–	24 000	0.0087	W 626-2RS1
7	11	3	0.276	0.433	0.118	0.291	0.127	0.0056	110 000	56 000	0.0007	W 627/7-2Z
	14	5		0.551	0.197	0.806	0.39	0.017	100 000	50 000	0.003	W 628/7-2Z
	17	5		0.669	0.197	1.24	0.54	0.024	90 000	45 000	0.005	W 619/7-2Z
	19	6		0.748	0.236	1.86	0.915	0.04	85 000	43 000	0.0082	W 607-2Z
	19	6		0.748	0.236	1.86	0.915	0.04	–	24 000	0.0082	W 607-2RS1
	22	7		0.866	0.276	2.76	1.32	0.057	70 000	36 000	0.013	W 627-2Z

Sealed stainless steel deep groove ball bearings

d 8 - 12 mm

d 0.315 - 0.472 in

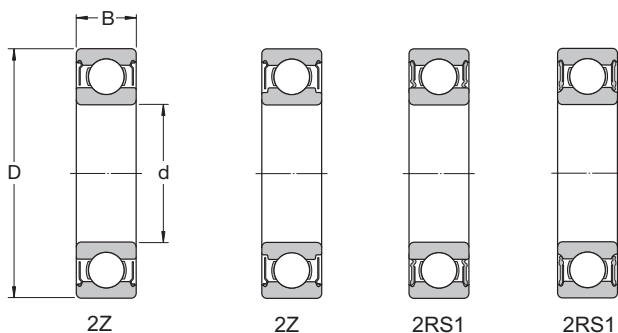


Principal dimensions						Basic load ratings		Fatigue load limit P_u	Speed ratings		Mass kg	Designation
d	D	B	d	D	B	dynamic C	static C_0		Reference speed	Limiting speed		
			in			kN		kN	r/min			–
8	16	5	0.315	0.630	0.197	1.12	0.55	0.024	90 000	45 000	0.004	W 628/8-2Z
	16	6		0.630	0.236	1.12	0.55	0.024	90 000	45 000	0.0043	W 638/8-2Z
	19	6		0.748	0.236	1.59	0.71	0.031	80 000	40 000	0.0076	W 619/8-2Z
	19	6		0.748	0.236	1.46	0.6	1.6	–	24 000	0.0071	W 619/8-2RS1
	22	7		0.866	0.276	2.76	1.32	0.057	75 000	38 000	0.013	W 608-2Z
	22	7		0.866	0.276	2.76	1.32	0.057	–	22 000	0.013	W 608-2RS1
9	17	5	0.354	0.669	0.197	1.19	0.62	0.027	85 000	43 000	0.0044	W 628/9-2Z
	20	6		0.787	0.236	1.74	0.83	0.036	80 000	38 000	0.0085	W 619/9-2Z
	24	7		0.945	0.276	3.12	1.6	0.071	70 000	34 000	0.016	W 609-2Z
	26	8		1.024	0.315	3.9	1.9	0.083	60 000	30 000	0.022	W 629-2Z
10	19	5	0.394	0.748	0.197	1.14	0.57	0.025	80 000	38 000	0.0056	W 61800-2Z
	19	7		0.748	0.276	1.14	0.57	0.025	80 000	38 000	0.0074	W 63800-2Z
	22	6		0.866	0.236	1.74	0.815	0.036	75 000	36 000	0.01	W 61900-2Z
	26	8		1.024	0.315	3.9	1.9	0.083	67 000	34 000	0.019	W 6000-2Z
	26	8		1.024	0.315	3.9	1.9	0.083	–	19 000	0.019	W 6000-2RS1
	30	9		1.181	0.354	4.23	2.28	0.1	56 000	28 000	0.032	W 6200-2Z
	30	9		1.181	0.354	4.23	2.28	0.1	–	17 000	0.032	W 6200-2RS1
	35	11		1.378	0.433	6.76	3.25	0.143	50 000	26 000	0.053	W 6300-2Z
	35	11		1.378	0.433	6.76	3.25	0.143	–	15 000	0.053	W 6300-2RS1
	12	21	5	0.472	0.827	0.197	1.21	0.64	0.028	70 000	36 000	0.0065
24		6	0.945		0.236	1.9	0.95	0.043	67 000	32 000	0.012	W 61901-2Z
28		8		1.102	0.315	4.23	2.28	0.1	60 000	30 000	0.022	W 6001-2Z
28		8		1.102	0.315	4.23	2.28	0.1	–	17 000	0.022	W 6001-2RS1
32		10		1.260	0.394	5.85	3	0.132	50 000	26 000	0.037	W 6201-2Z
32		10		1.260	0.394	5.85	3	0.132	–	15 000	0.037	W 6201-2RS1
37		12		1.457	0.472	8.19	4.05	0.176	45 000	22 000	0.06	W 6301-2Z
37		12		1.457	0.472	8.19	4.05	0.176	–	14 000	0.06	W 6301-2RS1

Sealed stainless steel deep groove ball bearings

d 15 - 25 mm

d 0.591 - 0.984 in



Principal dimensions						Basic load ratings		Fatigue load limit P_u	Speed ratings		Mass kg	Designation	
d	D	B	d	D	B	dynamic C	static C_0		Reference speed	Limiting speed			
mm			in			kN		kN	r/min		kg	—	
15	24	5	0.591	0.945	0.197	1.3	0.78	0.034	60 000	30 000	0.0076	W 61802-2Z	
	28	7		1.102	0.276	3.64	2.16	0.095	56 000	28 000	0.019	W 61902-2Z	
	28	7		1.102	0.276	3.64	2.16	0.095	—	16 000	0.019	W 61902-2RS1	
	32	9		1.260	0.354	4.68	2.75	0.12	50 000	26 000	0.03	W 6002-2Z	
	32	9		1.260	0.354	4.68	2.75	0.12	—	14 000	0.03	W 6002-2RS1	
	35	11		1.378	0.433	6.5	3.65	0.16	43 000	22 000	0.045	W 6202-2Z	
	35	11		1.378	0.433	6.5	3.65	0.16	—	13 000	0.045	W 6202-2RS1	
	42	13		1.654	0.512	9.56	5.2	0.228	38 000	19 000	0.082	W 6302-2Z	
	42	13		1.654	0.512	9.56	5.2	0.228	—	12 000	0.082	W 6302-2RS1	
	17	26	5	0.669	1.024	0.197	1.4	0.9	0.039	56 000	34 000	0.0082	W 61803-2Z
		30	7		1.181	0.276	3.9	2.45	0.108	50 000	32 000	0.019	W 61903-2Z
		30	7		1.181	0.276	3.9	2.45	0.108	—	14 000	0.019	W 61903-2RS1
35		10		1.378	0.394	5.07	3.15	0.137	45 000	22 000	0.039	W 6003-2Z	
35		10		1.378	0.394	5.07	3.15	0.137	—	13 000	0.039	W 6003-2RS1	
40		12		1.575	0.472	8.06	4.65	0.2	38 000	19 000	0.065	W 6203-2Z	
40		12		1.575	0.472	8.06	4.65	0.2	—	12 000	0.065	W 6203-2RS1	
47		14		1.850	0.551	11.4	6.3	0.275	34 000	17 000	0.12	W 6303-2Z	
47		14		1.850	0.551	11.4	6.3	0.275	—	11 000	0.12	W 6303-2RS1	
20		32	7	0.787	1.260	0.276	3.38	2.24	0.104	—	13 000	0.018	W 61804-2RS1
		37	9		1.457	0.354	5.4	3.55	0.156	—	12 000	0.04	W 61904-2RS1
		42	12		1.654	0.472	7.93	4.9	0.212	38 000	19 000	0.069	W 6004-2Z
	42	12		1.654	0.472	7.93	4.9	0.212	—	11 000	0.069	W 6004-2RS1	
	47	14		1.850	0.551	10.8	6.4	0.28	32 000	17 000	0.11	W 6204-2Z	
	47	14		1.850	0.551	10.8	6.4	0.28	—	10 000	0.11	W 6204-2RS1	
	52	15		2.047	0.591	13.5	7.65	0.335	30 000	15 000	0.14	W 6304-2Z	
	52	15		2.047	0.591	13.5	7.65	0.335	—	9 500	0.14	W 6304-2RS1	
	25	42	9	0.984	1.654	0.354	5.92	4.15	0.193	—	10 000	0.047	W 61905-2RS1
		47	12		1.850	0.472	8.52	5.7	0.25	32 000	16 000	0.08	W 6005-2Z
		47	12		1.850	0.472	8.52	5.7	0.25	—	9 500	0.08	W 6005-2RS1
		52	15		2.047	0.591	11.9	7.65	0.335	28 000	14 000	0.13	W 6205-2Z
52		15		2.047	0.591	11.9	7.65	0.335	—	8 500	0.13	W 6205-2RS1	
62		17		2.441	0.669	17.2	10.8	0.475	24 000	13 000	0.23	W 6305-2Z	
62		17		2.441	0.669	17.2	10.8	0.475	—	7 500	0.23	W 6305-2RS1	

Sealed stainless steel deep groove ball bearings

d 30 - 50 mm

d 1.181 - 1.969 in

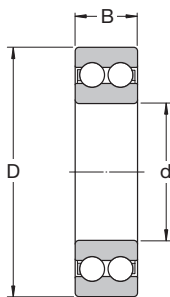


Principal dimensions						Basic load ratings		Fatigue load limit P_u	Speed ratings		Mass kg	Designation
d	D	B	d	D	B	dynamic C	static C_0		Reference speed	Limiting speed		
mm			in			kN		kN	r/min		kg	–
30	55	13	1.181	2.165	0.512	11.1	8	0.355	28 000	14 000	0.12	W 6006-2Z
	55	13		2.165	0.512	11.1	8	0.355	–	8 000	0.12	W 6006-2RS1
	62	16		2.441	0.630	16.3	10.8	0.475	24 000	12 000	0.2	W 6206-2Z
	62	16		2.441	0.630	16.3	10.8	0.475	–	7 500	0.2	W 6206-2RS1
	72	19		2.835	0.748	22.5	14.6	0.64	20 000	11 000	0.35	W 6306-2Z
	72	19		2.835	0.748	22.5	14.6	0.64	–	6 300	0.35	W 6306-2RS1
35	62	14	1.378	2.441	0.551	13.5	10	0.44	24 000	12 000	0.16	W 6007-2Z
	62	14		2.441	0.551	13.5	10	0.44	–	7 000	0.16	W 6007-2RS1
	72	17		2.835	0.669	21.6	14.6	0.655	20 000	10 000	0.29	W 6207-2Z
	72	17		2.835	0.669	21.6	14.6	0.655	–	6 300	0.29	W 6207-2RS1
40	68	15	1.575	2.677	0.591	14	10.8	0.49	22 000	11 000	0.19	W 6008-2Z
	68	15		2.677	0.591	14	10.8	0.49	–	6 300	0.19	W 6008-2RS1
	80	18		3.150	0.709	24.7	17.3	0.75	18 000	90 000	0.37	W 6208-2Z
	80	18		3.150	0.709	24.7	17.3	0.75	–	5 600	0.37	W 6208-2RS1
45	75	16	1.772	2.953	0.630	17.8	14.6	0.64	20 000	10 000	0.25	W 6009-2Z
	75	16		2.953	0.630	17.8	14.6	0.64	–	5 600	0.25	W 6009-2RS1
	85	19		3.346	0.748	27.6	19.6	0.865	17 000	8 500	0.41	W 6209-2Z
	85	19		3.346	0.748	27.6	19.6	0.865	–	5 000	0.41	W 6209-2RS1
50	80	16	1.969	3.150	0.630	18.2	16	0.71	18 000	9 000	0.26	W 6010-2Z
	80	16		3.150	0.630	18.2	16	0.71	–	5 000	0.26	W 6010-2RS1
	90	20		3.543	0.787	29.6	22.4	0.98	15 000	8 000	0.46	W 6210-2Z
	90	20		3.543	0.787	29.6	22.4	0.98	–	4 800	0.46	W 6210-2RS1

Double row deep groove ball bearings

d 10 - 100 mm

d 0.394 - 3.937 in



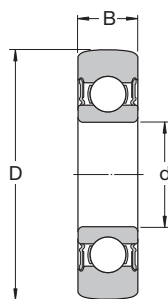
Principal dimensions						Basic load ratings		Fatigue load limit P_u	Speed ratings		Mass kg	Designation
d	D	B	d	D	B	dynamic C	static C_0		Reference speed	Limiting speed		
mm			in			kN		kN	r/min			—
10	30	14	0.394	1.181	0.551	9.23	5.2	0.224	40 000	22 000	0.049	4200 ATN9
12	32	14	0.472	1.260	0.551	10.6	6.2	0.26	36 000	20 000	0.053	4201 ATN9
	37	17		1.457	0.669	13	7.8	0.325	34 000	18 000	0.092	4301 ATN9
15	35	14	0.591	1.378	0.551	11.9	7.5	0.32	32 000	17 000	0.059	4202 ATN9
	42	17		1.654	0.669	14.8	9.5	0.405	28 000	15 000	0.12	4302 ATN9
17	40	16	0.669	1.575	0.630	14.8	9.5	0.405	28 000	15 000	0.09	4203 ATN9
	47	19		1.850	0.748	19.5	13.2	0.56	24 000	13 000	0.16	4303 ATN9
20	47	18	0.787	1.850	0.709	17.8	12.5	0.53	24 000	13 000	0.14	4204 ATN9
	52	21		2.047	0.827	23.4	16	0.68	22 000	12 000	0.21	4304 ATN9
25	52	18	0.984	2.047	0.709	19	14.6	0.62	20 000	11 000	0.16	4205 ATN9
	62	24		2.441	0.945	31.9	22.4	0.95	18 000	10 000	0.34	4305 ATN9
30	62	20	1.181	2.441	0.787	26	20.8	0.88	17 000	9 500	0.26	4206 ATN9
	72	27		2.835	1.063	41	30	1.27	16 000	8 500	0.5	4306 ATN9
35	72	23	1.378	2.835	0.906	35.1	28.5	1.2	15 000	8 000	0.4	4207 ATN9
	80	31		3.150	1.220	50.7	38	1.63	14 000	7 500	0.69	4307 ATN9
40	80	23	1.575	3.150	0.906	37.1	32.5	1.37	13 000	7 000	0.5	4208 ATN9
	90	33		3.543	1.299	55.9	45	1.9	12 000	6 700	0.95	4308 ATN9
45	85	23	1.772	3.346	0.906	39	36	1.53	12 000	6 700	0.54	4209 ATN9
	100	36		3.937	1.417	68.9	56	2.4	11 000	6 000	1.25	4309 ATN9
50	90	23	1.969	3.543	0.906	41	40	1.7	11 000	6 000	0.58	4210 ATN9
	110	40		4.331	1.575	81.9	69.5	2.9	10 000	5 300	1.7	4310 ATN9
55	100	25	2.165	3.937	0.984	44.9	44	1.9	10 000	5 600	0.8	4211 ATN9
	120	43		4.724	1.693	97.5	83	3.45	9 000	5 000	2.15	4311 ATN9
60	110	28	2.362	4.331	1.102	57.2	55	2.36	9 500	5 300	1.1	4212 ATN9
	130	46		5.118	1.811	112	98	4.15	8 500	4 500	2.65	4312 ATN9
65	120	31	2.559	4.724	1.220	67.6	67	2.8	8 500	4 800	1.45	4213 ATN9
	140	48		5.512	1.890	121	106	4.5	8 000	4 300	3.25	4313 ATN9
70	125	31	2.756	4.921	1.220	70.2	73.5	3.1	8 000	4 300	1.5	4214 ATN9
	150	51		5.906	2.008	138	125	5	7 000	3 800	3.95	4314 ATN9
75	130	31	2.953	5.118	1.220	72.8	80	3.35	7 500	4 000	1.6	4215 ATN9
	160	55		6.299	2.165	156	143	5.5	6 700	3 600	4.8	4315 ATN9
80	140	33	3.150	5.512	1.299	80.6	90	3.6	7 000	3 800	2	4216 ATN9
85	150	36	3.346	5.906	1.417	93.6	102	4	7 000	3 600	2.55	4217 ATN9
90	160	40	3.543	6.299	1.575	112	122	4.65	6 300	3 400	3.2	4218 ATN9
100	180	46	3.937	7.087	1.811	140	156	5.6	5 600	3 000	4.7	4220 ATN9



Single row cam rollers

D 32 - 80 mm

D 1.260 - 3.150 in



Dimensions												Limiting speed	Mass	Designation
D	B	d	D	B	d	C	C ₀	P _u	d ₁ ~	D ₁ ~	r _{1,2} Min			
mm			in			kN		kN		r/min	kg	-		
32	9	10	1.260	0.354	0.394	4.62	2	0.085	14.8	23.4	0.6	12 000	0.041	361200 R
35	10	12	1.378	0.394	0.472	6.24	2.6	0.11	16.1	25.9	0.6	11 000	0.052	361201 R
40	11	15	1.575	0.433	0.591	7.02	3.2	0.134	19.2	29.7	0.6	9 500	0.074	361202 R
47	12	17	1.850	0.472	0.669	8.84	4.15	0.176	21.6	32.9	0.6	8 500	0.11	361203 R
52	14	20	2.047	0.551	0.787	11.4	5.4	0.228	26	38.7	1	7 500	0.16	361204 R
62	15	25	2.441	0.591	0.984	12.7	6.8	0.285	31.4	44.2	1	6 300	0.24	361205 R
72	16	30	2.835	0.630	1.181	17.4	9.3	0.4	37.6	52.1	1	5 300	0.34	361206 R
80	17	35	3.150	0.669	1.378	22.1	11.8	0.5	44	60.6	1.1	4 500	0.43	361207 R

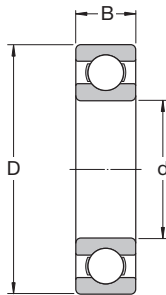
Note: C3 clearance is standard

MRC R series small inch-size

d 3.2 - 38.1 mm

d 0.1250 - 1.5000 in

R series bearings are single-row radial conrad-type bearings that are available in inch sizes for shafts from 1/8" to 1 1/2" in diameter. Open, shielded, and sealed types are available, and many sizes are available in stainless steel. R series supplied with ABMA CN radial clearance unless otherwise specified.



MRC Bearing Number	Bore			Outside Width			Basic Radial Load Rating		Speed Ratings ¹⁾		
	d	D	B	d	D	B	Dynamic ²⁾	Static	Open and Shielded Grease	Oil	Single and Double Sealed Grease
	mm			in			kN	kN	rpm	rpm	rpm
R-2	3.2	9.5	4.0	0.1250	0.3750	0.1562	0.312	0.120	75 000	91 000	52 000
R-2-A	3.2	12.7	4.4	0.1250	0.5000	0.1719	0.312	0.120	75 000	91 000	52 000
R-3	4.8	12.7	4.0	0.1875	0.5000	0.1562	0.956	0.490	57 000	69 000	40 000
R-4	6.4	15.9	5.0	0.2500	0.6250	0.1960	1.480	0.620	44 000	54 000	31 000
R-4-A	6.4	19.1	5.6	0.2500	0.7500	0.2188	2.810	1.160	39 000	48 000	27 000
R-6	9.5	22.2	5.6	0.3750	0.8750	0.2188	3.320	1.340	31 000	38 000	21 000
R-8	12.7	28.6	6.4	0.5000	1.1250	0.2500	5.070	2.400	24 000	29 000	16 000
R-10	15.9	34.9	7.1	0.6250	1.3750	0.2812	6.050	3.250	18 000	22 000	13 000
R-12	19.1	41.3	7.9	0.7500	1.6250	0.3125	9.360	5.100	16 000	19 000	11 000
R-14	22.2	47.6	9.5	0.8750	1.8750	0.3750	10.100	5.850	14 000	17 000	9 600
R-16	25.4	50.8	9.5	1.0000	2.0000	0.3750	10.100	6.000	13 000	16 000	9 000
R-18	28.6	54.0	9.5	1.1250	2.1250	0.3750	12.500	7.500	11 000	14 000	7 900
R-20	31.8	57.2	9.5	1.1250	2.2500	0.3750	14.000	9.300	11 000	13 000	7 500
R-24	38.1	66.7	11.1	1.5000	2.6250	0.4375	16.800	11.800	9 000	11 000	6 200

¹⁾ Listed values are for pressed steel or polyamide cage, ABEC-1.

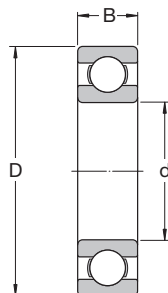
For phenolic composition cage, multiply by 1.66 for grease and 2.00 for oil. For machined bronze cage, multiply by 1.25 for grease and 1.50 for oil. For phenolic composition cage, ABEC-5 or 7, multiply by 2.30 for grease and 2.80 for oil. The speed rating adjustment factors have been determined through historical application and practice.

²⁾ Rating for one million revolutions or 500 hours at 33 1/3 RPM.



Single row deep groove ball bearings Series RLS

d **0.5000 - 2.5000** mm
d **12.700 - 63.500** in



Bearing Number	Designation		Principal Dimensions						Basic dynamic load rating	Speed ratings		Mass
			d	D	B	d	D	B		C	Lubrication grease	
	-Z	-2Z	in			mm			kN	rpm		kg
RLS4A	+	+	0.5000	1.3125	0.3750	12.700	33.337	9.925	6.180	20 000	26 000	0.04
RLS 5	+	+	0.6250	1.5625	0.4375	15.875	39.688	11.112	9.560	17 000	20 000	0.06
RLS 6	+	+	0.7500	1.8750	0.5625	19.050	47.625	14.288	12.700	15 000	18 000	0.12
RLS 7	+	+	0.8750	2.0000	0.5625	22.225	50.800	14.288	15.100	14 000	17 000	0.12
RLS 8	+	+	1.0000	2.2500	0.6250	25.400	57.150	15.875	17.800	11 000	14 000	0.17
RLS 9	+	+	1.1250	2.5000	0.6250	28.575	63.500	15.875	19.500	10 000	13 000	0.22
RLS 10	+	+	1.2500	2.7500	0.6875	31.750	69.850	17.462	22.500	9 500	12 000	0.29
RLS 11			1.3750	3.0000	0.6875	34.925	76.200	17.462	25.500	9 000	11 000	0.35
RLS 12			1.5000	3.2500	0.7500	38.100	82.550	19.050	29.100	8 500	10 000	0.44
RLS 13			1.6250	3.5000	0.7500	41.275	88.900	19.050	32.500	7 500	9 000	0.51
RLS 14			1.7500	3.7500	0.8125	44.450	95.250	20.638	35.100	7 000	8 500	0.66
RLS 15			1.8750	4.0000	0.8125	47.625	101.600	20.638	43.600	6 300	7 500	0.74
RLS 16			2.0000	4.0000	0.8125	50.800	101.600	20.638	43.600	6 300	7 500	0.70
RLS 18			2.2500	4.5000	0.8750	57.150	114.300	22.225	52.700	6 000	7 000	0.96
RLS 20			2.5000	5.0000	0.9375	63.500	127.000	23.812	62.400	5 000	6 000	1.26

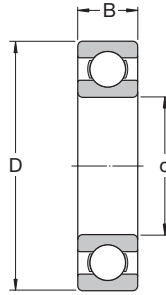
DO NOT USE IN NEW APPLICATIONS

Single row deep groove ball bearings

Series RLS

d 2.7500 - 6.0000 mm

d 69.850 - 152.400 in

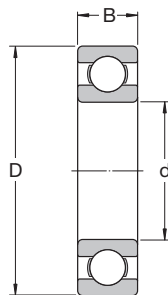


Bearing Number	Principal Dimensions			Principal Dimensions			Basic dynamic load rating C	Speed ratings		Mass kg
	d	D	B	d	D	B		Lubrication grease	oil	
	in			mm			kN	rpm	rpm	
RLS 22	2.7500	5.2500	0.9375	69.850	133.350	23.812	66.300	4 800	5 600	1.37
RLS 24	3.0000	5.7500	1.0625	76.200	146.050	26.988	72.800	4 500	5 300	1.85
RLS 26	3.2500	6.0000	1.0625	82.550	152.400	26.988	83.200	4 000	4 800	1.93
RLS 28	3.5000	6.5000	1.1250	88.900	165.100	28.575	95.600	3 800	4 500	2.38
RLS 30	3.7500	6.7500	1.1250	95.250	171.450	28.575	101.000	3 600	4 300	2.51
RLS 32	4.0000	7.2500	1.2500	101.600	184.150	31.750	108.000	3 400	4 000	3.25
RLS 34	4.2500	7.5000	1.2500	107.950	133.350	31.750	124.000	3 200	3 800	3.92
RLS 36	4.5000	8.0000	1.3125	114.300	203.200	33.338	130.000	3 000	3 600	4.76
RLS 38	4.7500	8.2500	1.3125	120.850	209.550	33.338	138.000	2 800	3 400	5.0
RLS 40	5.0000	9.0000	1.3750	127.000	228.600	34.925	148.000	2 600	3 200	6.5
RLS 44	5.5000	9.5000	1.3750	139.700	241.300	34.925	156.000	2 400	3 000	6.9
RLS 48	6.0000	10.5000	1.5625	152.400	266.700	39.688	172.000	2 000	2 600	9.8



Single row deep groove ball bearings Series RMS

d 0.5000 - 5.5000 mm
d 12.700 - 139.700 in



Bearing Number	Principal Dimensions			Basic dynamic load rating			Speed ratings		Mass	
	d	D	B	d	D	B	C	Lubrication grease		oil
	in			mm			kN	rpm	rpm	kg
RMS 4	0.5000	1.6250	0.6250	12.700	41.275	15.875	11.400	18 000	22 000	0.10
RMS 5	0.6250	1.8125	0.6250	15.875	46.038	15.875	13.800	16 000	19 000	0.12
RMS 6	0.7500	2.0000	0.6875	19.050	50.800	17.462	15.900	14 000	17 000	0.16
RMS 7	0.8750	2.2500	0.6875	22.225	57.150	17.462	18.600	12 000	15 000	0.21
RMS 8	1.0000	2.5000	0.7500	25.400	63.500	19.050	21.200	10 000	13 000	0.27
RMS 9	1.1250	2.8125	0.8125	28.575	71.438	20.638	27.000	9 500	12 000	0.37
RMS 10	1.2500	3.1250	0.8750	31.750	79.375	22.225	33.200	9 000	11 000	0.49
RMS 11	1.3750	3.5000	0.8750	34.925	88.900	22.225	40.300	8 000	9 500	0.63
RMS 12	1.5000	3.7500	0.9375	38.100	95.250	23.812	44.200	7 500	9 000	0.79
RMS 13	1.6250	4.0000	0.9375	41.275	101.600	23.812	52.700	6 700	8 000	0.91
RMS 14	1.7500	4.2500	1.0625	44.450	107.950	26.988	57.200	6 300	7 500	1.13
RMS 15	1.8750	4.5000	1.0625	47.625	114.300	26.988	66.300	6 000	7 000	1.24
RMS 16	2.0000	4.5000	1.0625	50.800	114.300	26.988	66.300	6 000	7 000	1.19
RMS 18	2.2500	5.0000	1.2500	57.150	127.000	31.750	76.100	5 300	6 300	1.70
RMS 20	2.5000	5.0000	1.2500	63.500	139.700	31.750	92.300	4 800	5 600	2.05
RMS 22	2.7500	6.2500	1.3750	69.850	158.750	34.925	104.000	4 300	5 000	2.97
RMS 24	3.0000	7.0000	1.5625	76.200	177.800	39.688	124.000	3 800	4 500	4.41
RMS 26	3.2500	7.5000	1.5625	82.550	190.500	39.688	133.000	3 400	4 000	5.00
RMS 28	3.5000	8.1250	1.7500	88.900	206.375	44.450	153.000	3 200	3 800	6.50
RMS 30	3.7500	8.2500	1.7500	95.250	209.550	44.450	153.000	3 200	3 800	6.50
RMS 32	4.0000	8.5000	1.7500	101.600	215.900	44.450	163.000	3 000	3 600	8.10
RMS 34	4.2500	8.7500	1.7500	107.950	222.250	44.450	174.000	2 800	3 400	8.50
RMS 36	4.5000	9.3750	2.0000	114.300	238.125	50.800	186.000	2 600	3 200	11.70
RMS 38	4.7500	10.0000	2.0000	120.850	254.000	50.800	195.000	2 400	3 000	12.70
RMS 40	5.0000	10.0000	2.0000	127.000	254.000	50.800	195.000	2 400	3 000	12.10
RMS 44 M	5.5000	11.0000	2.0000	139.700	279.400	50.800	212.000	2 000	2 600	-

MRC Cartridge-type bearings types SFFC, SZZC, SLLC

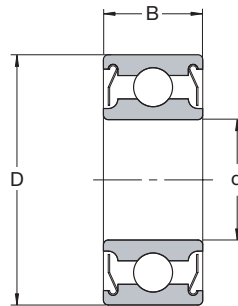
d 8 - 100 mm

d 0.3150 - 3.9370 in

Cartridge-type bearings have an extra large grease chamber packed with high quality lubricant. For applications where space for a lubrication system is limited or conditions demand a larger grease supply inside bearing.

Bearings designated SFFC have non-removable metal shields.

Many sizes are available with removable shields (SLLC) or synthetic rubber seals (SZZC).



MRC Bearing Number	Bore		Outside Width		Bore		Outside Width		Basic Radial Load Rating		Speed Ratings ¹⁾		Single and Double Sealed Grease
	d	D	B	d	D	B	Dynamic ²⁾	Static	Open and Shielded Grease	Oil	rpm		
	mm			in			kN	kN	rpm	rpm	rpm		
38-FFC	8	22	11.99	0.3150	0.8661	0.472	3.25	1.37	36 000	43 000	23 000		
200-SFFC	10	30	14.29	0.3937	1.1811	⁹ / ₁₆	5.07	2.40	24 000	30 000	17 000		
201-SFFC	12	32	15.88	0.4724	1.2598	⁵ / ₈	6.76	3.00	22 000	28 000	15 000		
202-SFFC	15	35	15.88	0.5906	1.3780	⁵ / ₈	7.61	3.75	19 000	24 000	13 000		
203-SFFC	17	40	17.46	0.6693	1.5748	¹¹ / ₁₆	9.56	4.50	17 000	20 000	12 000		
204-SFFC	20	47	20.64	0.7874	1.8504	¹³ / ₁₆	13.00	6.70	15 000	18 000	10 000		
205-SFFC	25	52	20.64	0.9843	2.0472	¹³ / ₁₆	15.10	8.15	12 000	15 000	8 500		
206-SFFC	30	62	23.81	1.1811	2.4409	¹⁵ / ₁₆	20.80	11.40	10 000	13 000	7 500		
207-SFFC	35	72	26.99	1.3780	2.8346	¹¹ / ₁₆	26.50	15.30	9 000	11 000	6 300		
208-SFFC	40	80	30.16	1.5748	3.1496	¹³ / ₁₆	32.50	20.00	8 500	10 000	5 600		
209-SFFC	45	85	30.16	1.7717	3.3465	¹³ / ₁₆	36.40	22.80	7 500	9 000	5 000		
210-SFFC	50	90	30.16	1.9685	3.5433	¹³ / ₁₆	35.10	23.20	7 000	8 500	4 800		
211-SFFC	55	100	33.34	2.1654	3.9370	¹⁵ / ₁₆	39.70	29.00	6 300	7 500	4 300		
213-SFFC	65	120	38.10	2.5591	4.7244	¹¹ / ₂	62.40	44.00	5 300	6 300	3 600		
214-SFFC	70	125	39.69	2.7559	4.9213	¹⁹ / ₁₆	62.40	44.00	5 000	6 000	3 400		
216-SFFC	80	140	44.45	3.1496	5.5118	¹³ / ₄	78.00	53.00	4 500	5 300	3 000		
304-SFFC	20	52	22.23	0.7874	2.0472	⁷ / ₈	15.90	7.80	13 000	16 000	9 500		
305-SFFC	25	62	25.40	0.9843	2.4409	1	21.00	11.00	11 000	14 000	7 500		
306-SFFC	30	72	30.16	1.1811	2.8346	¹³ / ₁₆	29.60	16.60	9 000	11 000	6 300		
307-SFFC	35	80	34.93	1.3780	3.1496	¹³ / ₈	36.40	20.00	8 500	10 000	6 000		
308-SFFC	40	90	36.51	1.5748	3.5433	¹⁷ / ₁₆	44.20	26.00	7 500	9 000	5 000		
309-SFFC	45	100	39.69	1.7717	3.9370	¹⁹ / ₁₆	52.00	30.00	6 700	8 000	4 500		
310-SFFC	50	110	44.45	1.9685	4.3307	¹³ / ₄	61.80	38.00	6 300	7 500	4 300		
311-SFFC	55	120	49.21	2.1654	4.7244	¹¹⁵ / ₁₆	71.50	45.00	5 600	6 700	3 800		
312-SFFC	60	130	53.98	2.3622	5.1181	²¹ / ₈	81.90	52.00	5 000	6 000	3 400		
313-SFFC	65	140	58.74	2.5591	5.5118	²⁵ / ₁₆	92.30	60.00	4 800	5 600	3 200		
314-SFFC	70	150	63.50	2.7559	5.9055	²¹ / ₂	104.00	68.00	4 500	5 300	3 000		
315-SFFC	75	160	68.26	2.9528	6.2992	²¹¹ / ₁₆	124.00	85.00	4 300	5 000	2 800		
316-SFFC	80	170	68.26	3.1496	6.6929	²¹¹ / ₁₆	133.00	95.00	3 800	4 500	2 600		
317-SFFC	85	180	73.03	3.3465	7.0866	²⁷ / ₈	133.00	96.50	3 600	4 300	2 400		
318-SFFC	90	190	73.03	3.5433	7.4803	²⁷ / ₈	143.00	108.00	3 400	4 000	2 400		
320-SFFC	100	215	82.55	3.9370	8.4646	³¹ / ₄	182.00	150.00	3 000	3 600	2 100		

¹⁾ Listed values are for pressed steel or polyamide cage, ABEC-1.
The values have been determined through historical application and practice.
²⁾ Rating for one million revolutions or 500 hours at 33 1/3 RPM.