

Porsche 928 In-Tank Fuel Pump Repair

Rich Andrade

www.electronikrepair.com



Fuel Pump - REPLACED BY 928-608-013-01

Part Number: 928-608-013-01

Other Names: Electric Fuel Pump, Pre Supply Pump

Replaces: 928-608-013-00

Description: 928 GTS. In Tank Assy.

Fits: Porsche: 928

 DISCONTINUED

Many Porsche 928s have two fuel pumps

- In-tank pump part number 928-608-013-00
- External pump part number varies by model year

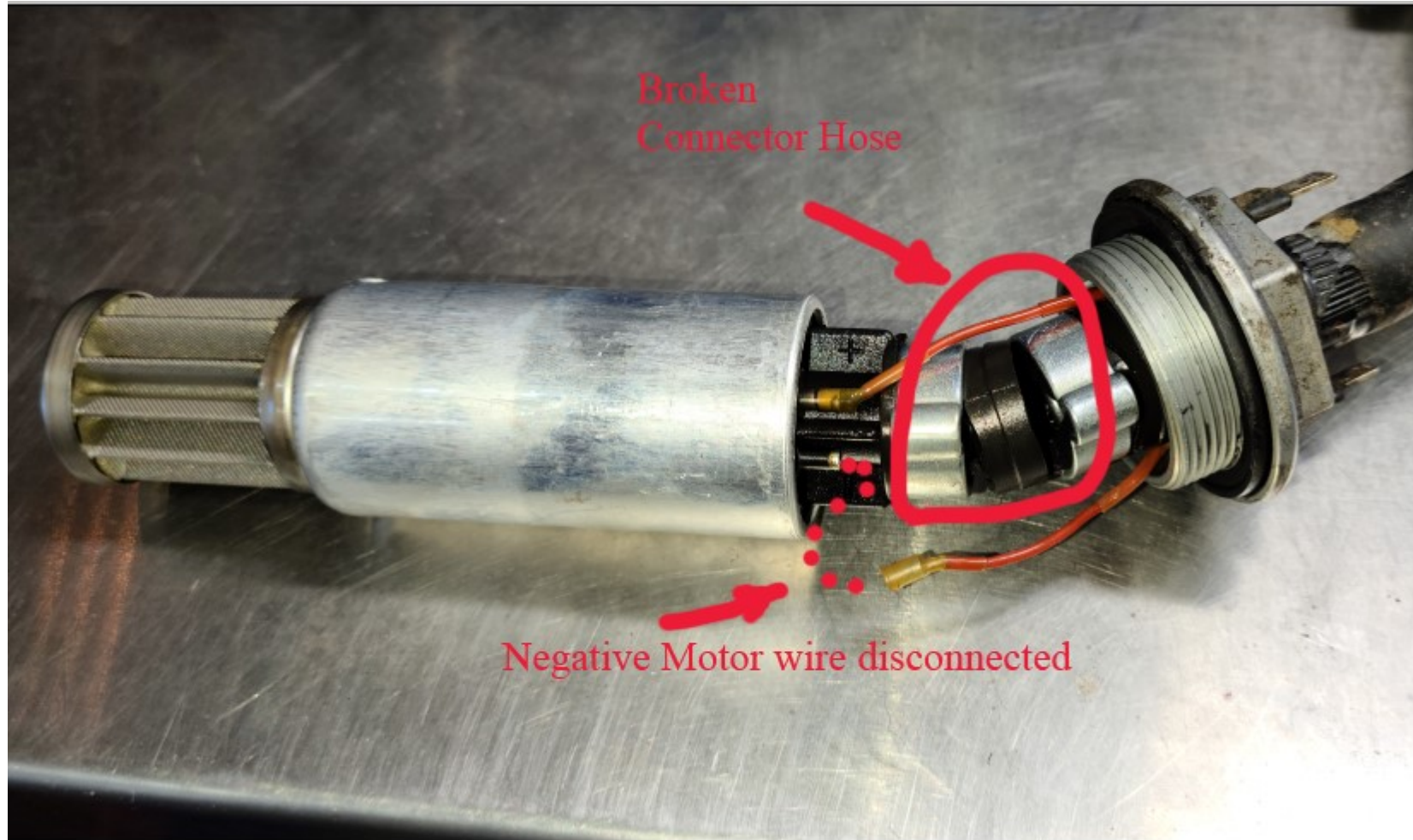
Model years from 1978 – 1995

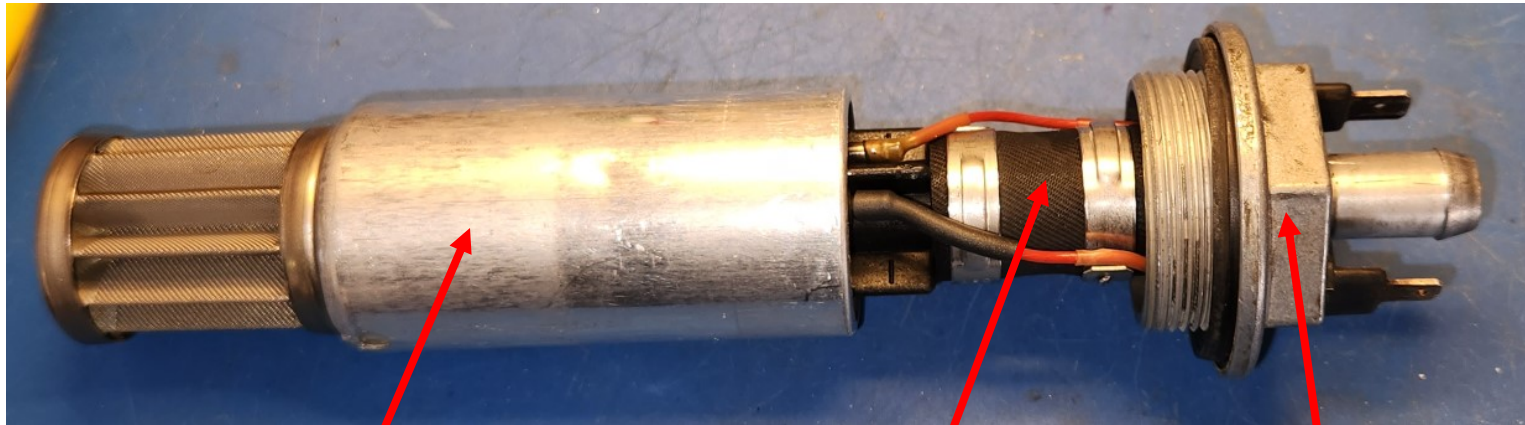
- On all CIS cars (1988 – 1979)
- On S4 Models M460
- On all GTS models

Failure experience: Hard starting when hot

What to do??

Two Causes of In-Tank Pump Failure In My Porsche 1979 Porsche 928





Filter/pump

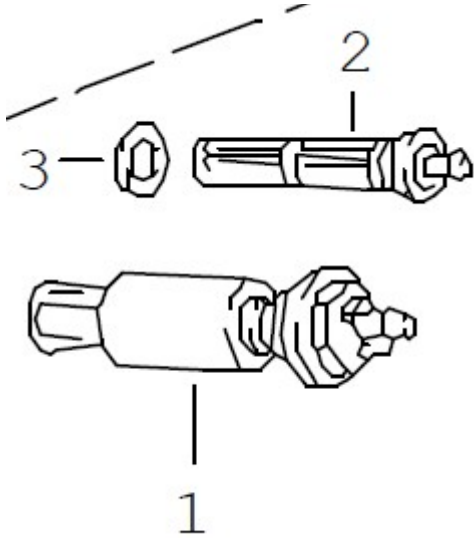
Connector hose

Fuel tank fitting

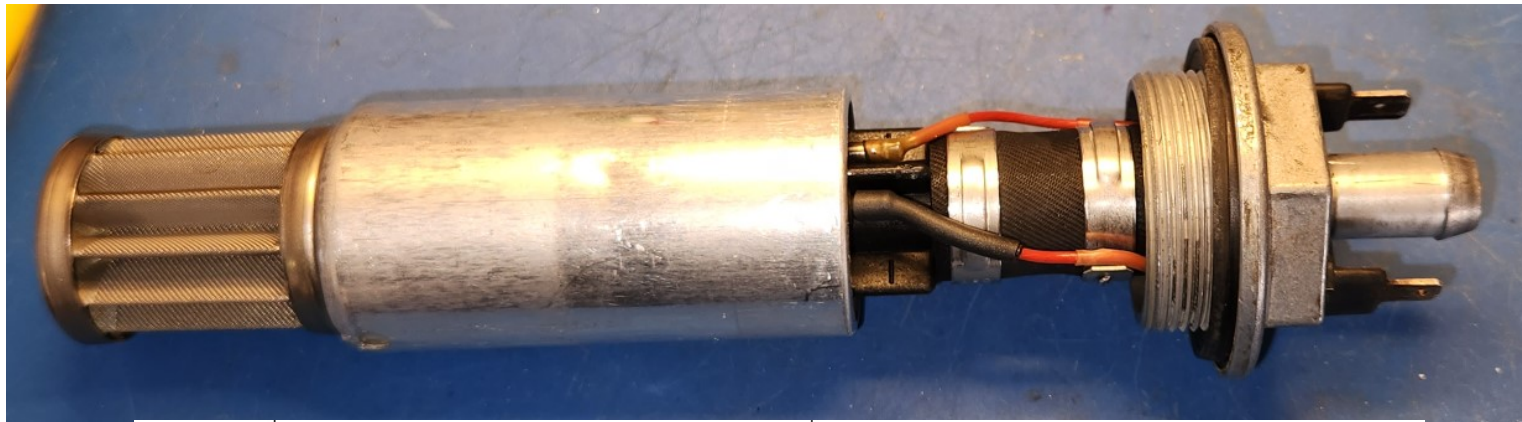
- The in-tank fuel pump is comprised of three main elements
 - Filter/pump
 - Connector hose
 - Fuel tank fitting
- The connector hose provides the mechanical structure holding the filter/pump in place, it fails due to stress
- Connector hose failure is common (pump still works)

PORSCHE

PET



2	928 201 081 04	fuel filter M 37 X 1,5 deleted with in-tank fuel pump
---	----------------	---

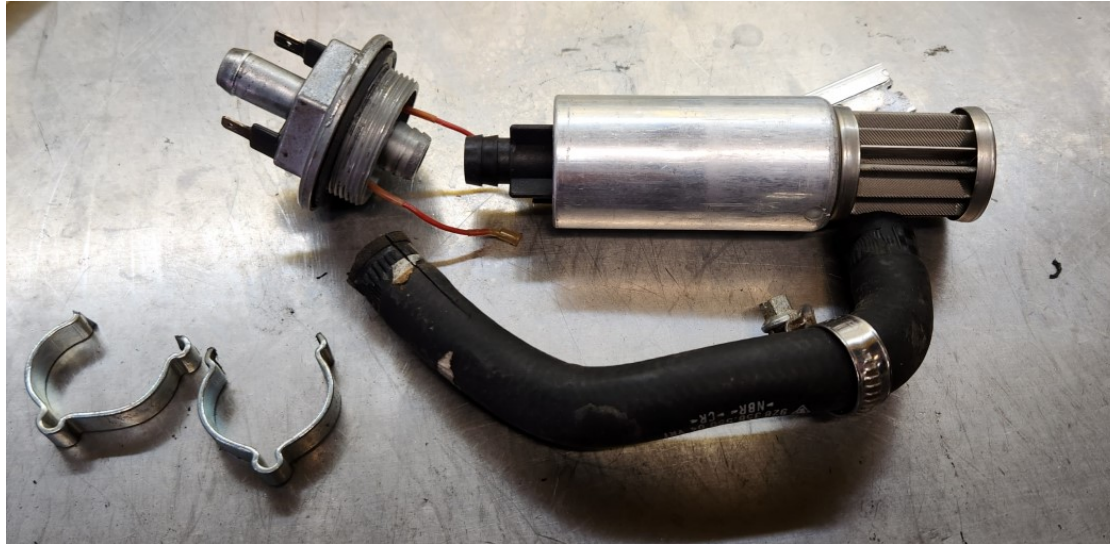


1	928 608 013 00	in-tank fuel pump
---	----------------	-------------------

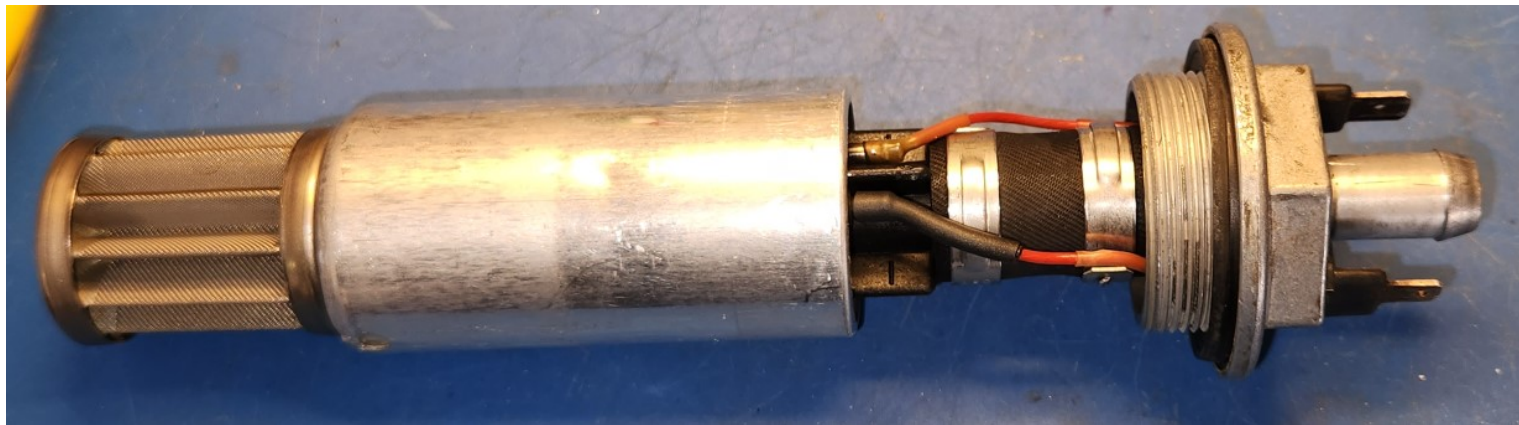
Failed In-Tank Fuel Pump Connector hose



Inside ID 12 mm
Length 30 mm



Disassembled



If you have a cracked hose, check with Exotic Motorwerks, Scottsdale AZ for repair
www.exoticmotorwerks.com