

Remedy:

Install modified spring kit in K1 accumulator (48) of valve body.

Parts Information

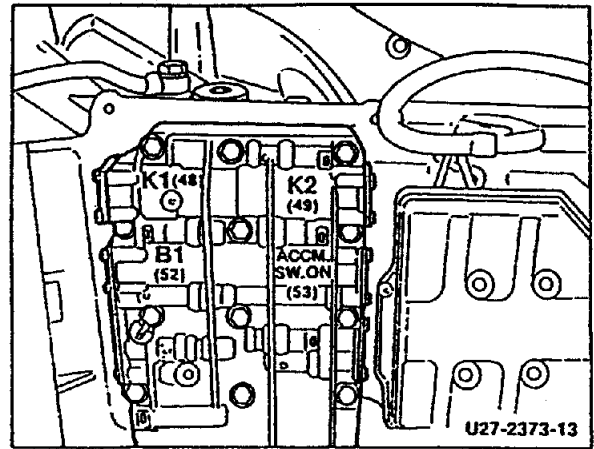
Part Name	Part Number
Spring kit, K1 accumulator (48)	126 270 44 77

Work Instruction Recommendation:

Service Microfiche, Automatic Transmission 722.3 09/88 →, Group 27, Job 27-400.

Damage Code:

27125 63.



27A94091 Transmission Fluid Leakage From Transmission Oil Pan

Transmissions 722.3, 722.5

9/94

This topic was previously Administrative Message #361, August 1994.

Complaint Description:

- Transmission fluid leakage due to gasket tearing or splitting along the side lengths, or rolling inward at the forward corners.
- This complaint can typically occur approx. one week after transmission servicing at the 30k or 60k maintenance service.

Cause:

Transmission oil pan gasket, part no. 126 271 10 80.

Remedy:

Replace transmission oil pan gasket. Refer to Parts Information listed below.

Transmission oil pan bolt tightening torque: 8 Nm

Parts Information

Part Number	Part Name	Application	Quantity
126 271 11 80	Transmission oil pan gasket	Transmissions 722.3, 722.5	1

Damage Code:

27413 04