

Technical Bulletin

Model
928

Group
3

Subject: **Installing Central Tube**

Part Identifier
3903

Number
9203

ATTENTION: Service Manager/Service Technician

Models Affected: *All Model Year 928's with automatic transmissions*

Concern: Installation procedure of central tube.

Repair Information: After the central tube is bolted to the forward housing, first tighten the six (6) drive plate attaching bolts (A in Figure 1) to 32-39 Nm (23-28 ft. lbs.). Then tighten the clamping screw (B in Figure 1) to 75-85 Nm (54-62 ft. lbs.). Following this procedure will ensure necessary running clearance for the crankshaft thrust bearings.

Any damage to the engine which has been caused by improper central tube installation is NOT a warranty matter.

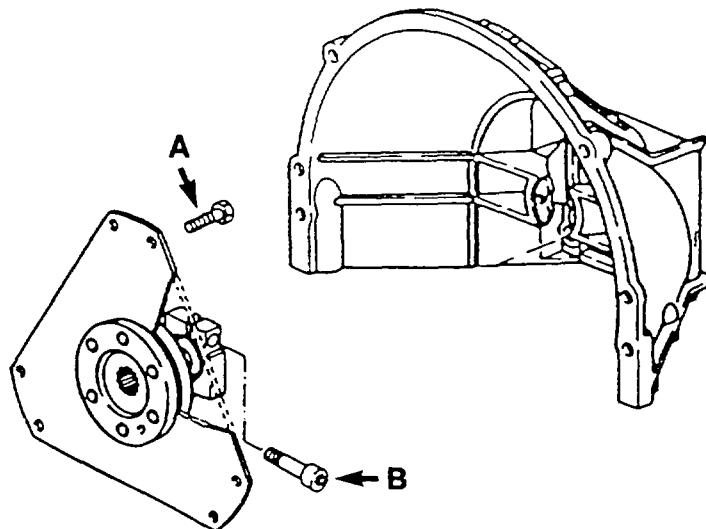


Figure 1

Index # 028877

Important Notice: Porsche Cars N.A. Technical Bulletins are intended for use by professional technicians, not a "Do-it-yourselfer." They are written to inform these technicians of conditions that may occur on some vehicles, or to provide information that could assist in the proper service of a vehicle. Special tools may be required to perform certain operations identified in these bulletins. Use of tools and procedures other than those recommended in these bulletins may be detrimental to the safe operation of your vehicle. Properly trained technicians have the equipment, tools, safety instructions and know-how to do a job properly and safely. If a condition is described, do not assume that the bulletin applies to your vehicle, or that your vehicle will have that condition. See your Porsche Dealer for information on whether your vehicle may benefit from the information. Part numbers listed in these bulletins are for reference only. Always check with your authorized Porsche dealer to verify correct part numbers. ©1992 Porsche Cars North America, Inc.

Dealership	Service manager	Shop foreman	Service technician
Distribution	Asst. manager	Warranty admin.	Service technician
Routing			

The trademarks Porsche®, Targa®, Carrera®, Tiptronic® and the Porsche Crest are registered trademarks of Dr. Ing.h.c.F. Porsche AG and its affiliate, Porsche Cars North America, Inc.

©1992 Porsche Cars North America, Inc. All rights reserved. Cannot be reproduced without written permission. Porsche Technical Publications



SERVICE

Page 1 of 1
May 5, 1992

PORSCHE CARS NORTH AMERICA INC.